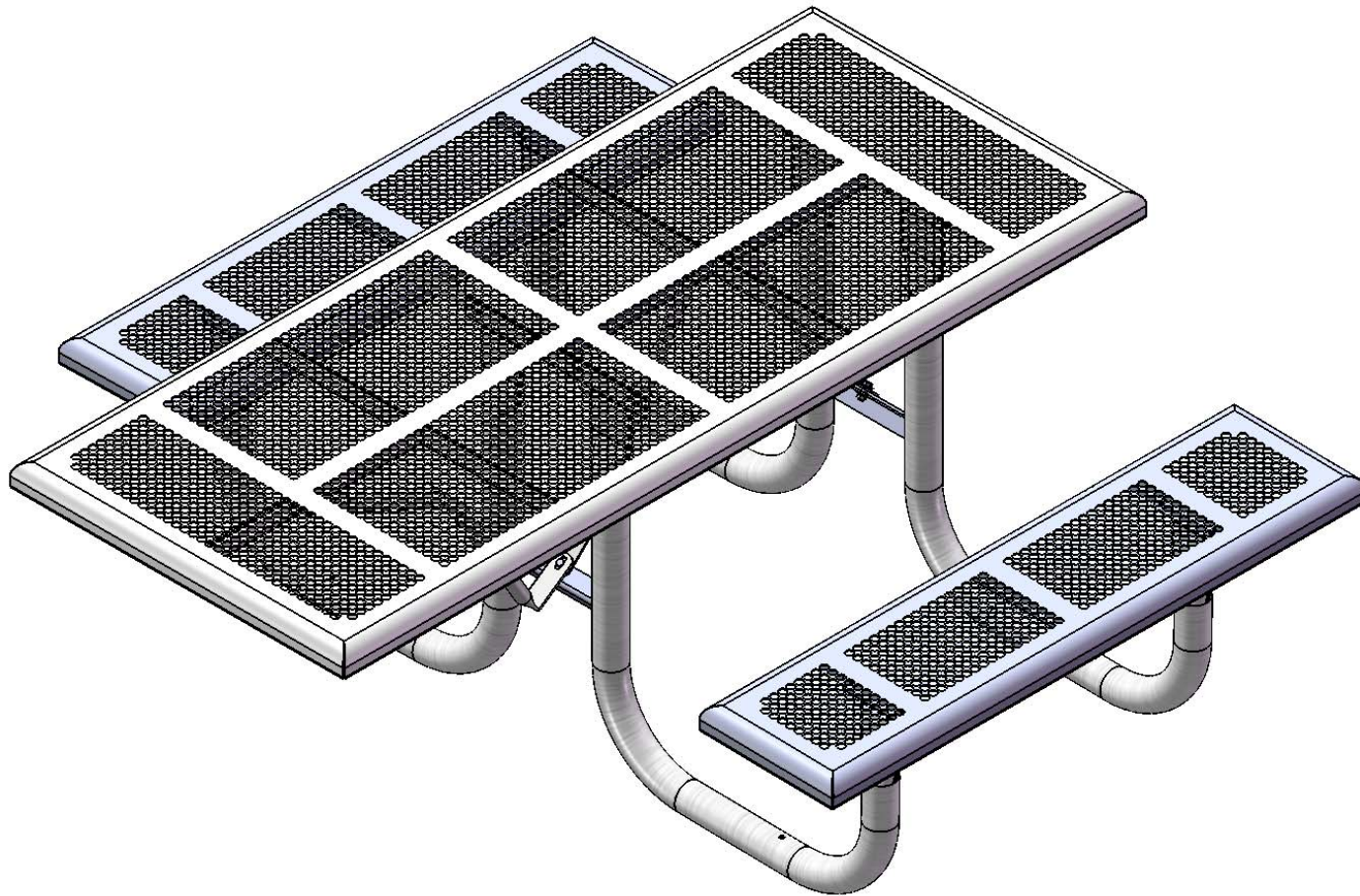


# Site Amenities

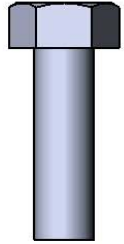
BY SUPERIOR RECREATIONAL PRODUCTS



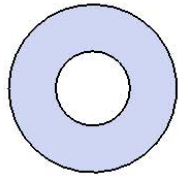
Model # T6PERFHDCP

**S** SUPERIOR<sup>®</sup>  
RECREATIONAL PRODUCTS  
A PLAYCORE Company

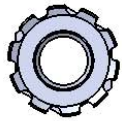
# HARDWARE



5/16" x 1"  
Machine Bolt

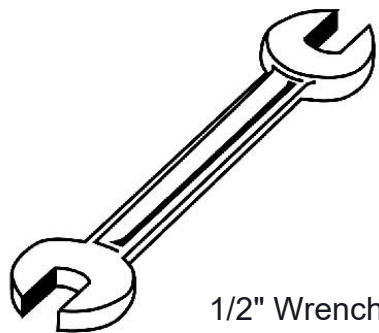


5/16" Washer

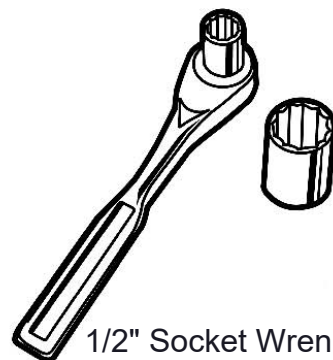


5/16" Kep Nut

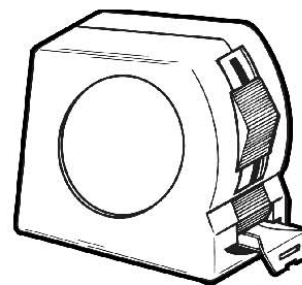
## TOOLS REQUIRED



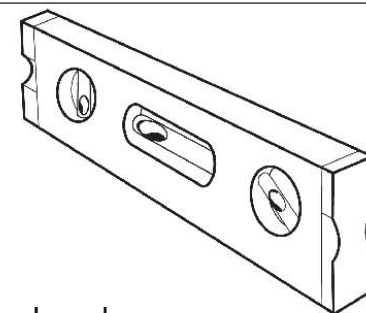
1/2" Wrench



1/2" Socket Wrench



Tape Measure



Level

# ULTRA SITE PRODUCT SPECIFICATIONS

## 238HS-PR6 6' ACCESSIBLE PICNIC TABLE WALK-THROUGH DESIGN

Top & Seats: 11 gauge die formed angle frame 1"x1-7/8" with 3" radius corners. Seat and back plates are fabricated from a 12ga plate. Holes are precision punched at 5/8" diameter. 7 gauge x 1-1/2" flat bar center support and mounting bracket understructure. Electrically MIG welded.

Coating: Oven fused functionalized polyethylene copolymer-based thermoplastic. Fluidized bed coating application with superior mechanical performance, impact resistance and UV-stability.

Frame: 2-3/8" O.D. x 12 gauge pre-galvanized structural steel tubing. Cross braces 1" O.D. x 16 gauge pre-galvanized structural steel tubing. Brace attachment points 1-1/2"x1-1/2"x3/16" steel angle. Seat and top mounting points 7 gauge x 1-1/2" die stamped steel flat bar. Legs are bent over a mandrel through the bend radius producing a wrinkle free bend. All electrically MIG welded.

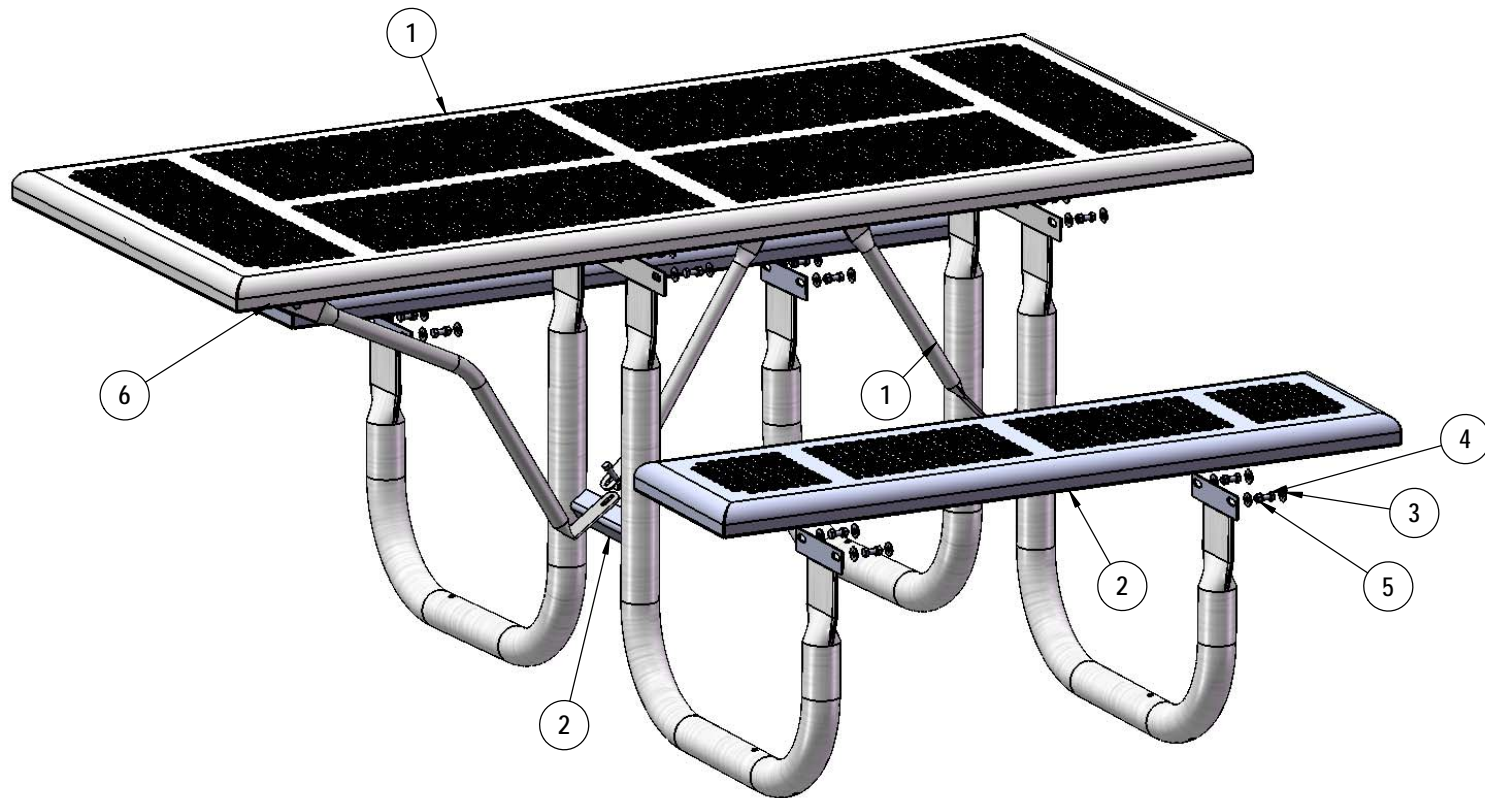
Frame Coating: Electrostatic powder coated application oven cured.

Hardware: All stainless steel hardware fasteners.

Dimensions: 6' accessible picnic table walk-through design. Top is 30" wide x 72" long and is 31" high. Seats are 12" wide x 48" long and 18-7/8" high. Outside to outside dimension is 69-7/16" x 72". The table over hangs the frame 33" on one end.

**NOTE:** 238 Single Sided Accessible Tables must be installed with Surface Mount Clamps or In-Ground Mount Posts to insure stability.

# COMPONENTS

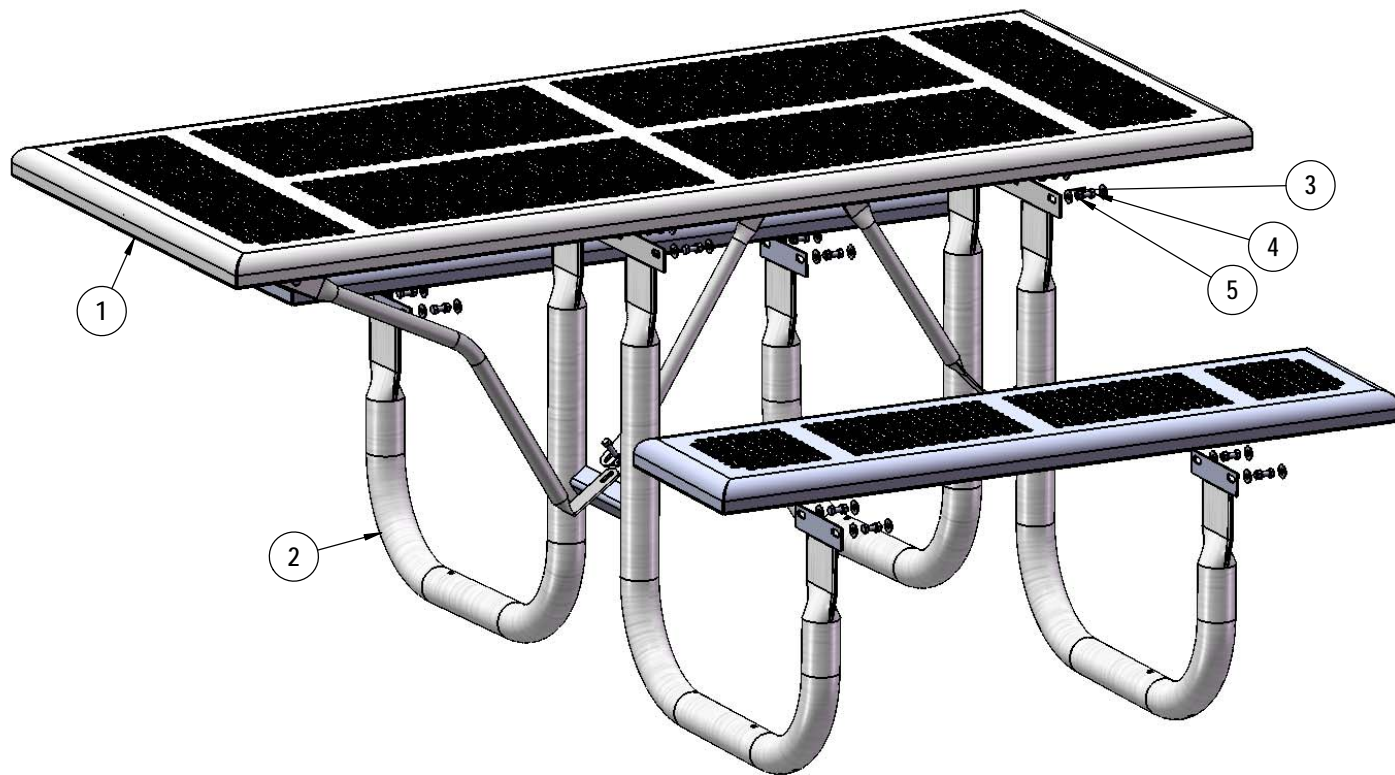


ITEM NO.	PartNo	DESCRIPTION	Qty.
1	P-01-04-0243	21 3/8" Brace	2
2	P-V238	238 Vinyl Frame	2
3	33-02-0007	5/16" SS Washer	42
4	33-05-0029	5/16" x 1" Machine Bolt (SS)	21
5	33-03-0012	5/16" Kep Nut (SS)	21
6	P-01-04-0148	158/238 HS Brace	1
7	PR48-S	4' Punched Rolled Seat	2
8	T-PR72HS-T	6' Handicap Punched Rolled Top	1

## STEP 1

Attach the 6' HS Punched Top to the 238 Legs using specified hardware.

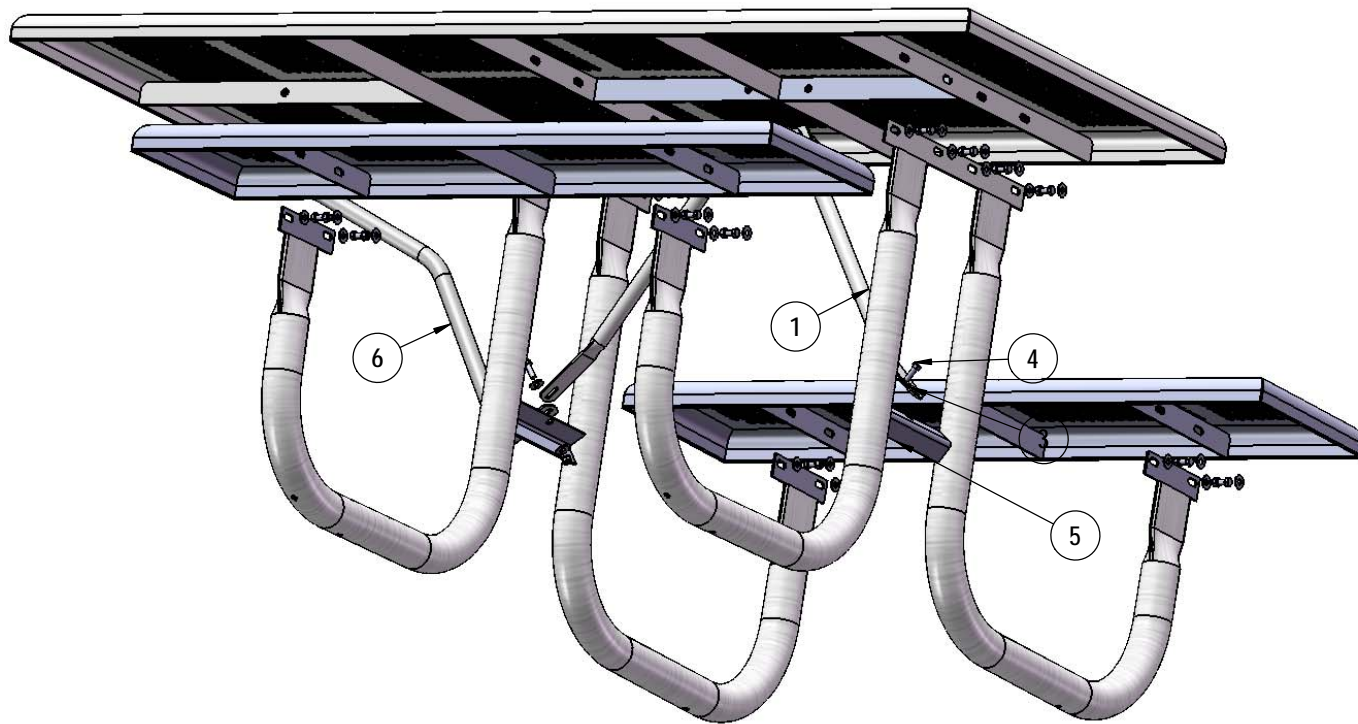
**NOTE:** 238 Single Sided Accessible Tables must be installed with Surface Mount Clamps or In-Ground Mount Posts to insure stability.





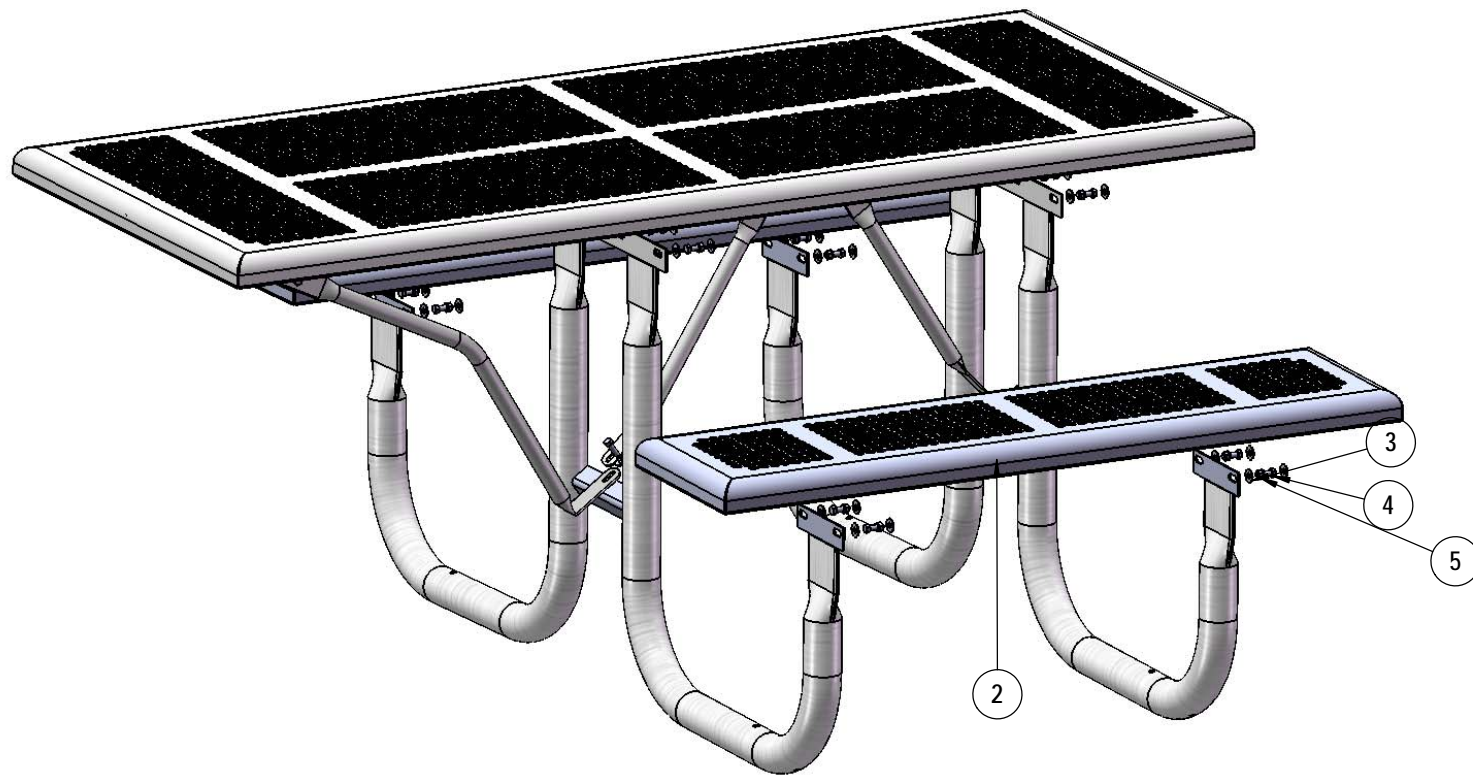
## STEP 2

Attach the 21-3/8" and 158/238 HS Braces to the 6' HS Punched Top and the 238 Legs as shown using specified hardware.



### STEP 3

Attach the 4' Punched Seats to the 238 Legs using specified hardware.





# OVERALL DIMENSIONS

**NOTE:** 238 Single Sided Accessible Tables must be installed with Surface Mount Clamps or In-Ground Mount Posts to insure stability.

