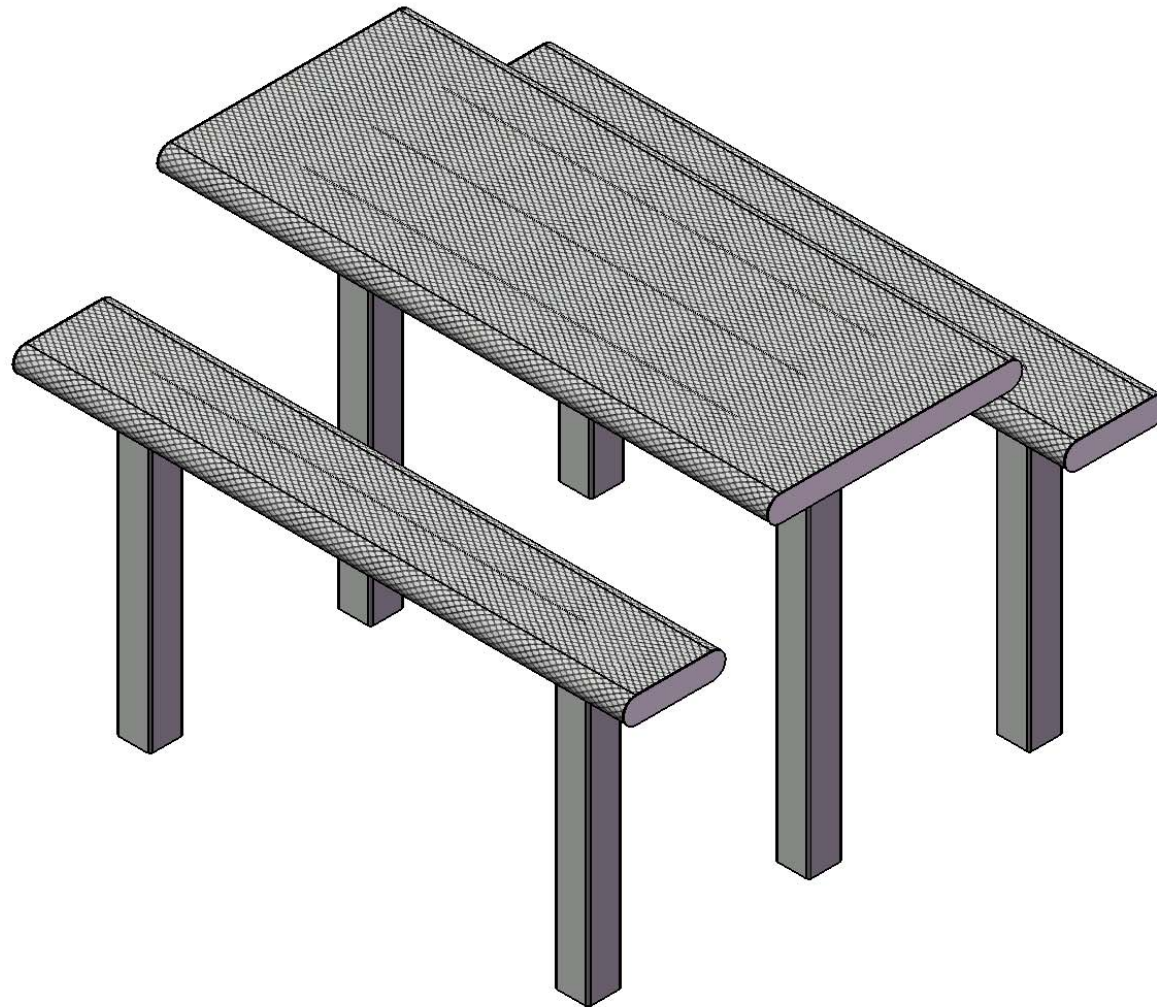


Site Amenities

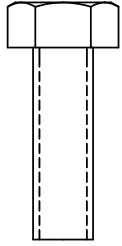
BY SUPERIOR RECREATIONAL PRODUCTS



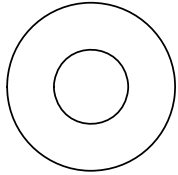
Model #
T6ROLL4-4S

 **SUPERIOR**[®]
RECREATIONAL PRODUCTS
A **PLAYCORE** Company

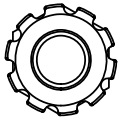
HARDWARE



5/16" X 1"
Machine Bolt



5/16" Washer



5/16" Kep Nut

PRODUCT SPECIFICATIONS

T6ROLL4-4S **6' INGROUND PICNIC TABLE WALK-THROUGH DESIGN**

Top & Seats: End plates are fabricated out of 7 gauge x 3" with a 3" diameter corners. 3/4" #9 steel expanded metal. 7 gauge x 1-1/2" flat bar center support and mounting bracket understructure. 5/8" rod to finish off expanded edge. Electrically MIG welded.

Coating: Oven fused functionalized polyethylene copolymer-based thermoplastic. Fluidized bed coating application with superior mechanical performance, impact resistance and UV-stability.

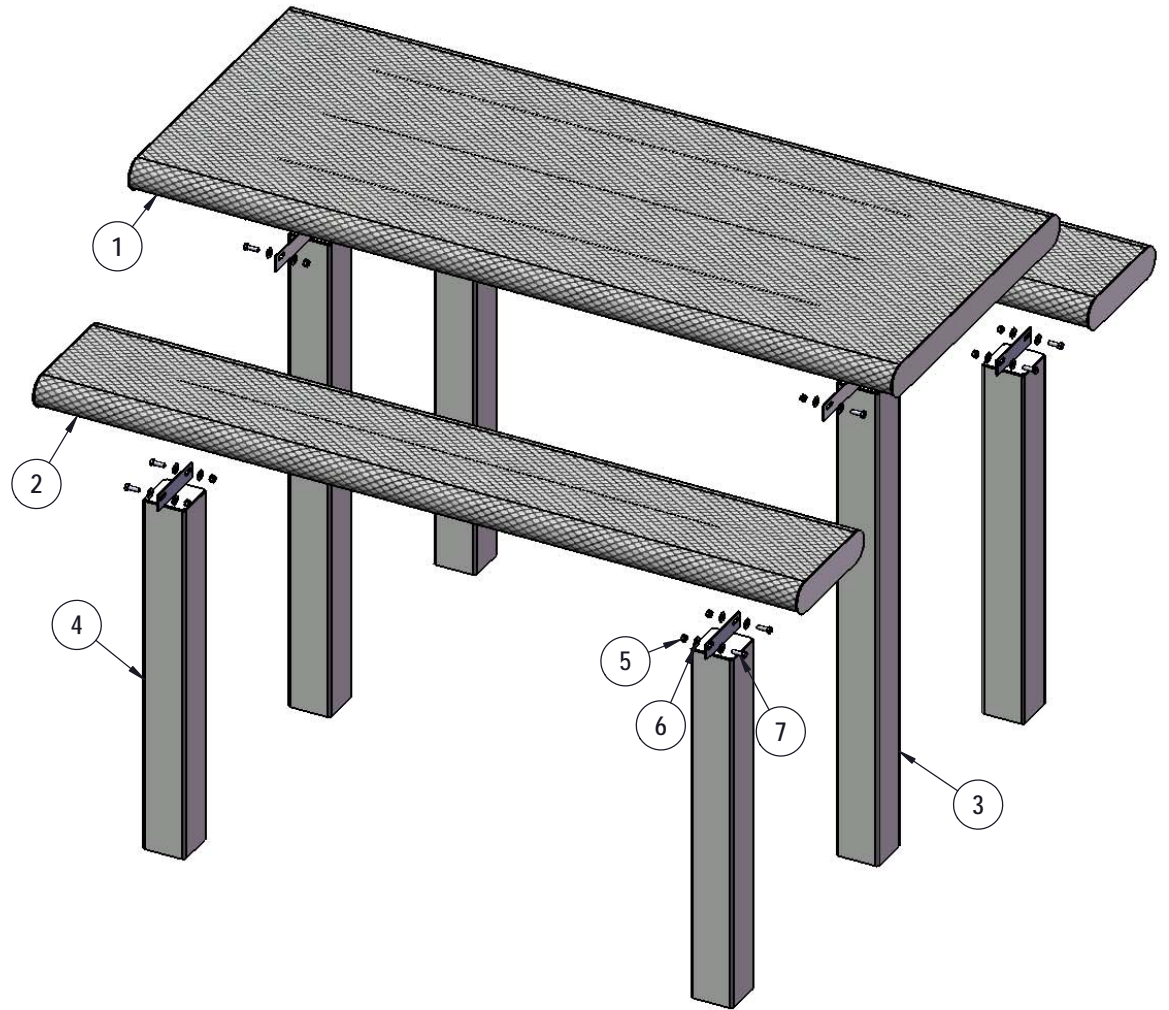
Frame: 4 x 4 x 11 gauge structural steel square tubing. Legs are capped with a 4 x 4 x 3/16" steel flat bar. Seat and top mounting points 7 gauge x 1-1/2" die stamped steel flat bar. All electrically MIG welded.

Frame Coating: Electrostatic powder coated application oven cured.

Hardware: All stainless steel hardware fasteners.

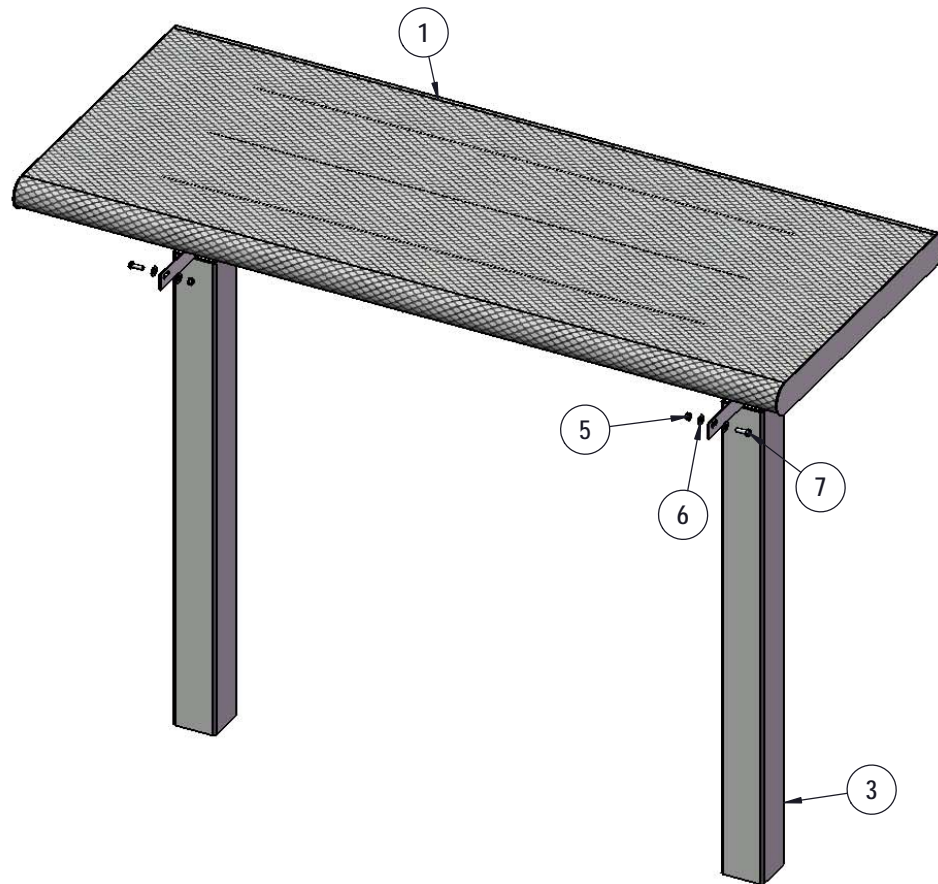
Dimensions: 6' permanent picnic table walk-through design. Top is 30-1/8" wide x 72-1/8" long and is 30" high. Seats are 12-1/8" wide x 72-1/8" long and 18" high. Outside to outside dimension is 64" x 72-1/8".

COMPONENTS



ITEM NO.	PartNo	DESCRIPTION	QTY
1	VR72-T	6' Vinyl Rolled Top	1
2	VR72-S	6' Vinyl Rolled Seat	2
3	P-V349S-T	Vinyl S top leg	2
4	P-V349S-S	Vinyl S Seat leg	4
5	33-03-0012	5/16" Kep Nut (SS)	16
6	33-02-0007	5/16" SS Washer	32
7	33-05-0029	5/16" x 1" Machine Bolt (SS)	16

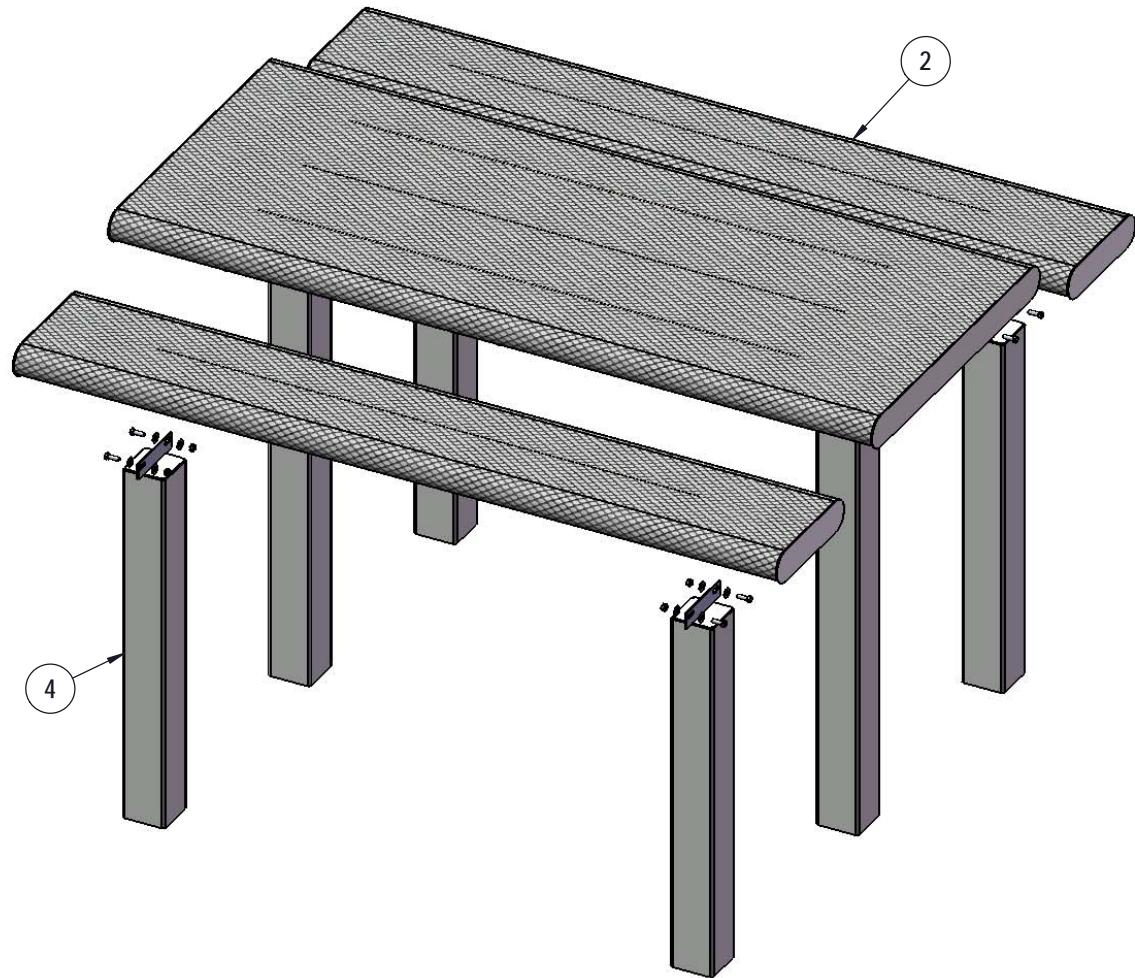
STEP 1



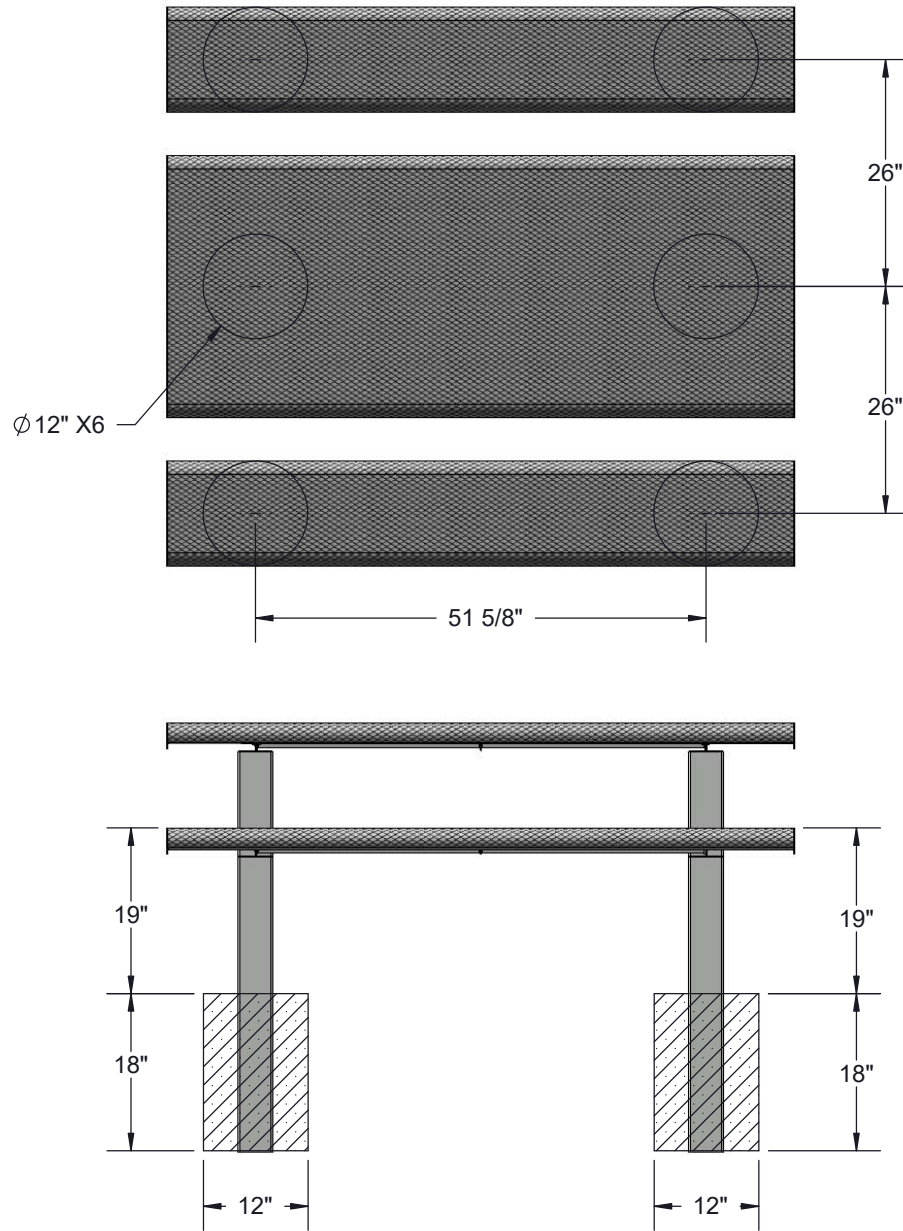
Attach the 6' Top to the Top Legs using specified hardware.

STEP 2

Attach the 6' Seats to the Seat Legs using specified hardware.



FOOTINGS



Estimated Required Concrete:
19 - 50 lb Bags of Concrete Mix

OVERALL DIMENSIONS

