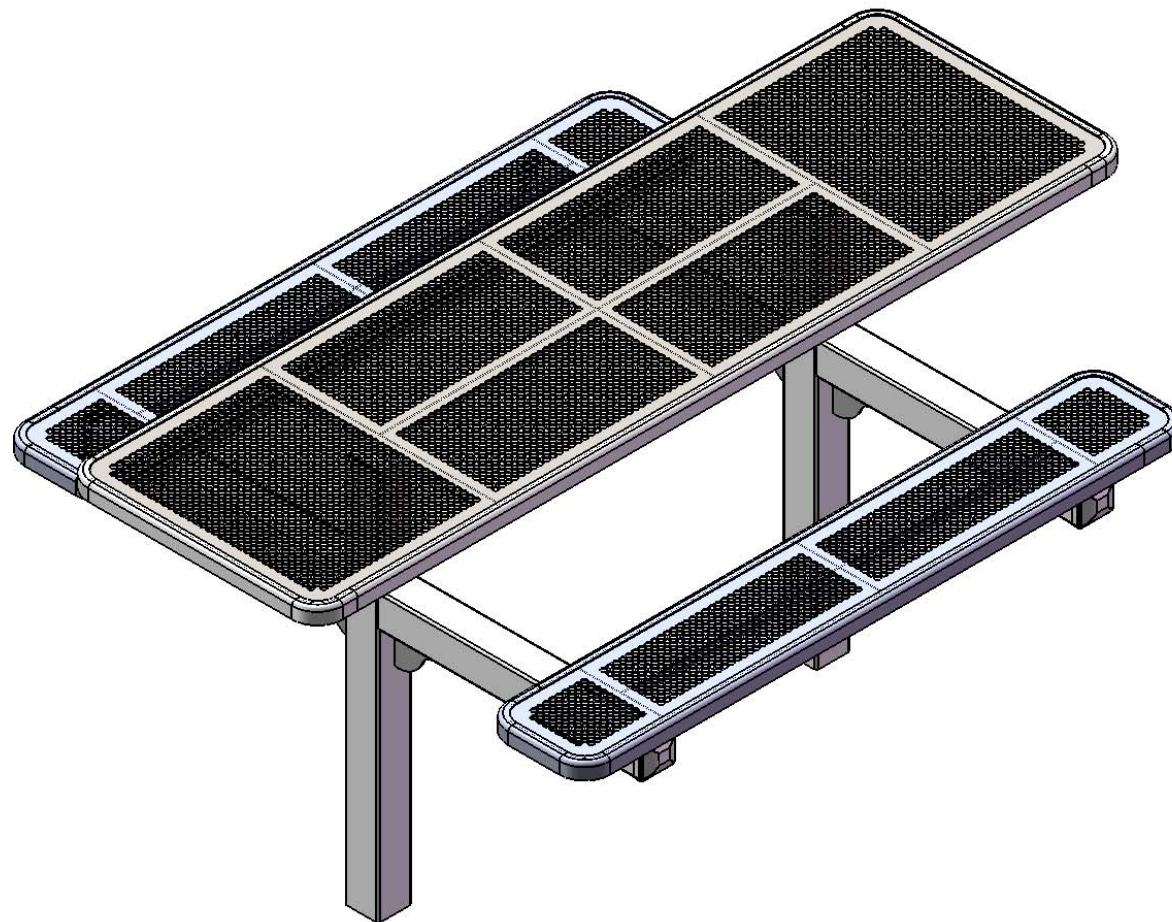


# Site Amenities

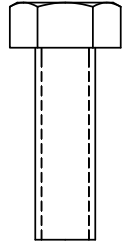
BY SUPERIOR RECREATIONAL PRODUCTS



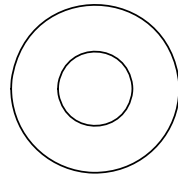
Model #  
T8INNVDBLPEDHDCPS

 **SUPERIOR**<sup>®</sup>  
RECREATIONAL PRODUCTS  
A **PLAYCORE** Company

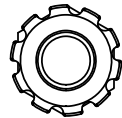
# HARDWARE



5/16" x 1"  
Machine Bolt



5/16" Washer



5/16" Kep Nut

# PRODUCT SPECIFICATIONS

## **T8INNVDBLPEDHDCPS 8' INGROUND PICNIC DESIGN**

Top & Seats: 11 gauge die formed angle frame 1"x1-7/8" with 3" radius corners. Seat and back plates are fabricated from a 12ga plate. Holes are precision punched at 5/8" diameter. 7 gauge x 1-1/2" flat bar center support and mounting bracket understructure. Electrically MIG welded.

Coating: Oven fused functionalized polyethylene copolymer-based thermoplastic. Fluidized bed coating application with superior mechanical performance, impact resistance and UV-stability.

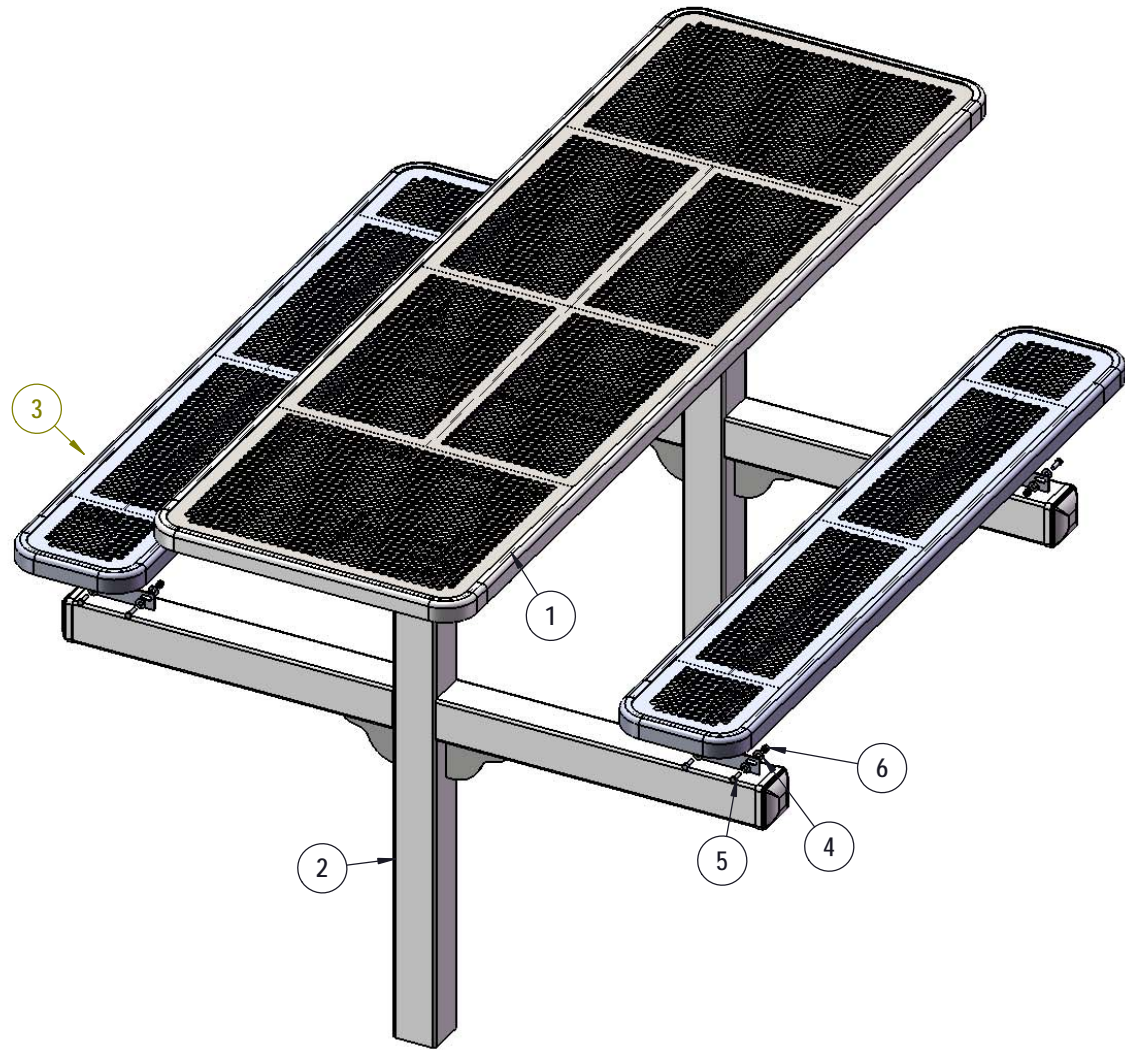
Frame: 4 x 4 x 11 gauge structural steel square tubing. Tubing is capped with a 4 x 4 x 3/16" steel flat bar. Arms are supported with 6" x 6" x 1/4" steel flat bar gussets. Seat and top mounting points 7 gauge x 1-1/2" die stamped steel flat bar. All electrically MIG welded.

Frame Coating: Electrostatic powder coated application oven cured.

Hardware: All stainless steel hardware fasteners.

Dimensions: 8' accessible permanent picnic table design. Top is 30-1/8" wide x 96-1/8" long and is 30" high. Seats are 12-1/8" wide x 72-1/8" long and 18" high. Outside to outside dimension is 64" x 96-1/8". The table top over hangs the frame 21" on both ends.

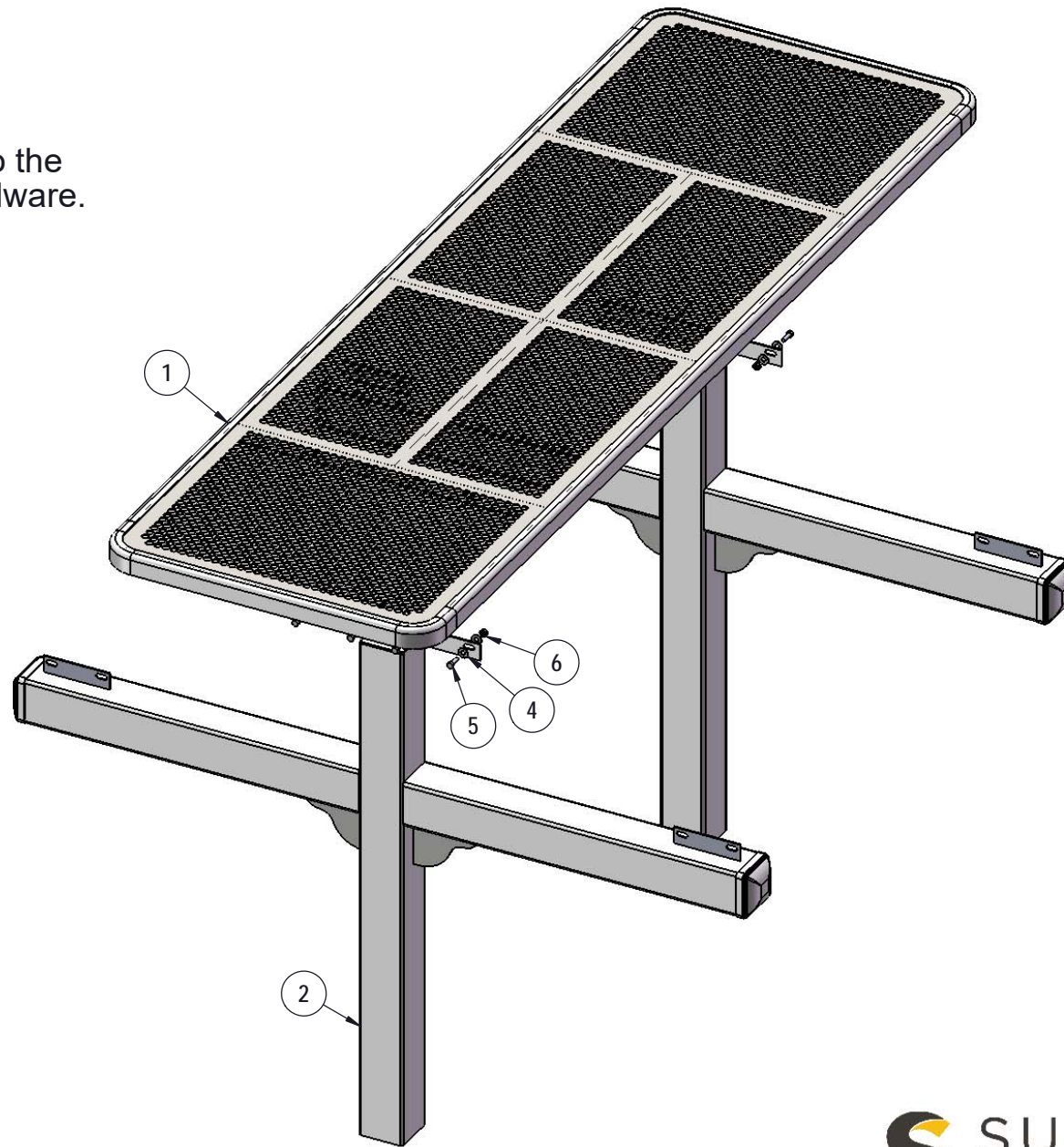
# COMPONENTS



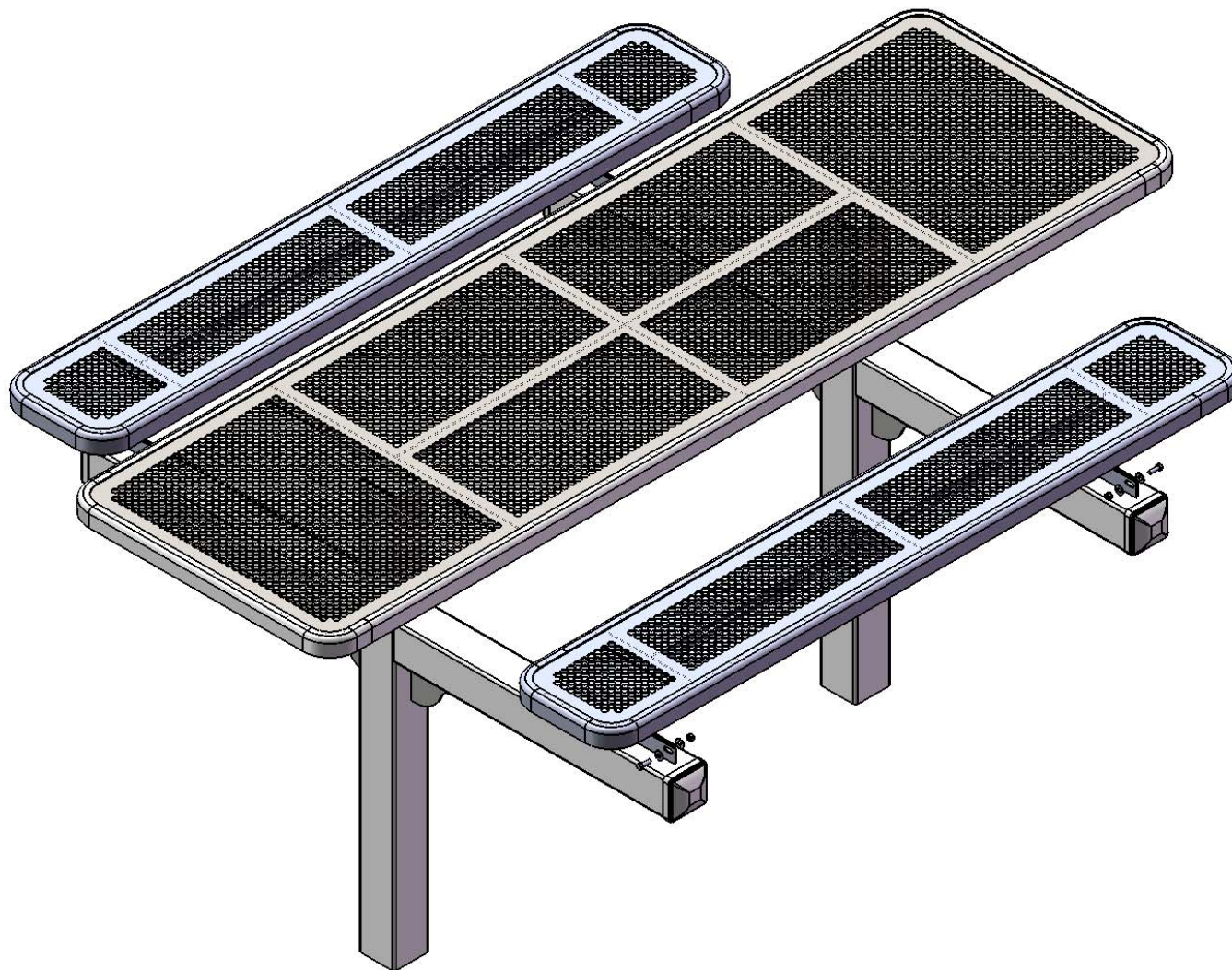
ITEM NO.	PartNo	DESCRIPTION	QTY.
1	T-P96H-T	8' H Punched Top	1
2	P-V347S	347 In Ground Vinyl Leg	2
3	T-P72-S	6' Punched Seat	2
4	33-02-0007	5/16" SS Washer	32
5	33-05-0029	5/16" x 1" Machine Bolt (SS)	16
6	33-03-0012	5/16" Kep Nut (SS)	16

# STEP 1

Attach the 8' Table Top to the Legs using specified hardware.

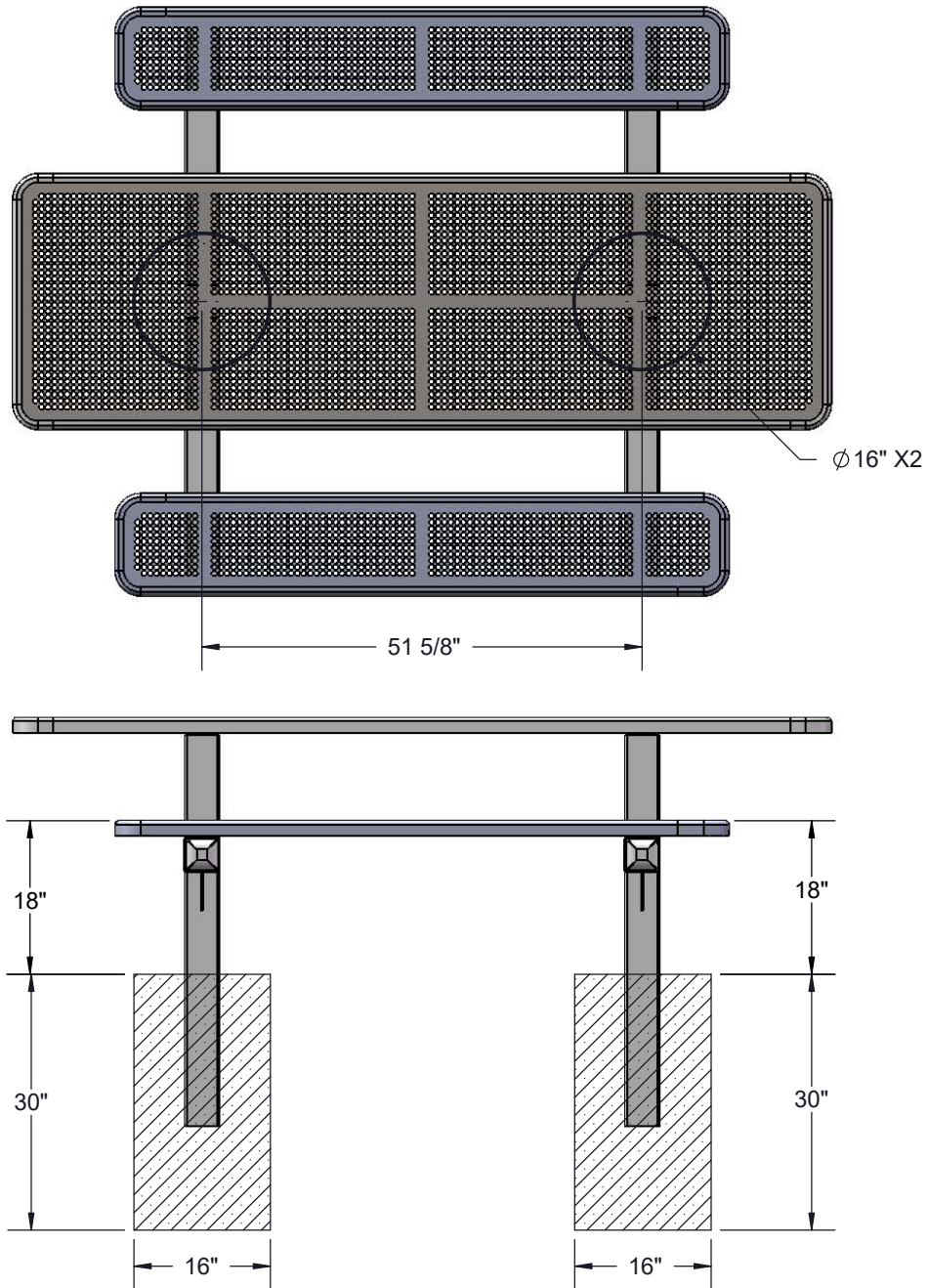


## STEP 2



Attach the 8' Benches to the Legs using specified hardware.

# FOOTINGS



Estimated Required Concrete:  
19 - 50 lb Bags of Concrete Mix

# OVERALL DIMENSIONS

