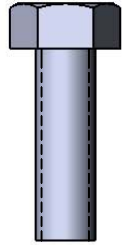
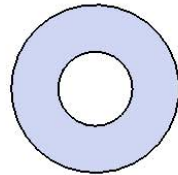


Model # T8INNVDBLPEDSM

# HARDWARE



5/16" x 1"  
Machine Bolt

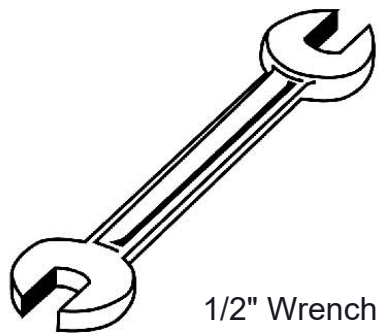


5/16" Washer



5/16" Kep Nut

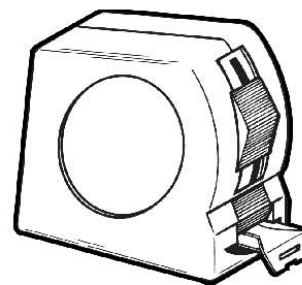
## TOOLS REQUIRED



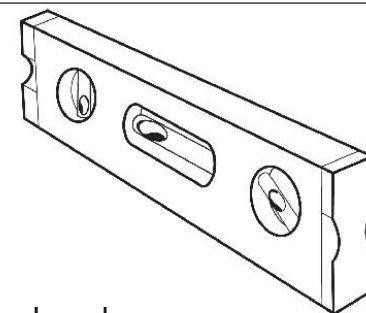
1/2" Wrench



1/2" Socket Wrench



Tape Measure



Level

# PRODUCT SPECIFICATIONS

## **T8INNVDBLPEDSM 8' SURFACE MOUNT PICNIC DESIGN**

Top & Seats: 11 gauge die formed angle frame 1"x1-7/8" with 3" radius corners. Seat and back plates are fabricated from a 12ga plate. Holes are precision punched at 5/8" diameter. 7 gauge x 1-1/2" flat bar center support and mounting bracket understructure. Electrically MIG welded.

Coating: Oven fused functionalized polyethylene copolymer-based thermoplastic. Fluidized bed coating application with superior mechanical performance, impact resistance and UV-stability.

Frame: 4 x 4 x 11 gauge structural steel square tubing. Tubing is capped with a 4 x 4 x 3/16" steel flat bar. Arms are supported with 6" x 6" x 1/4" steel flat bar gussets. Seat and top mounting points 7 gauge x 1-1/2" die stamped steel flat bar. All electrically MIG welded.

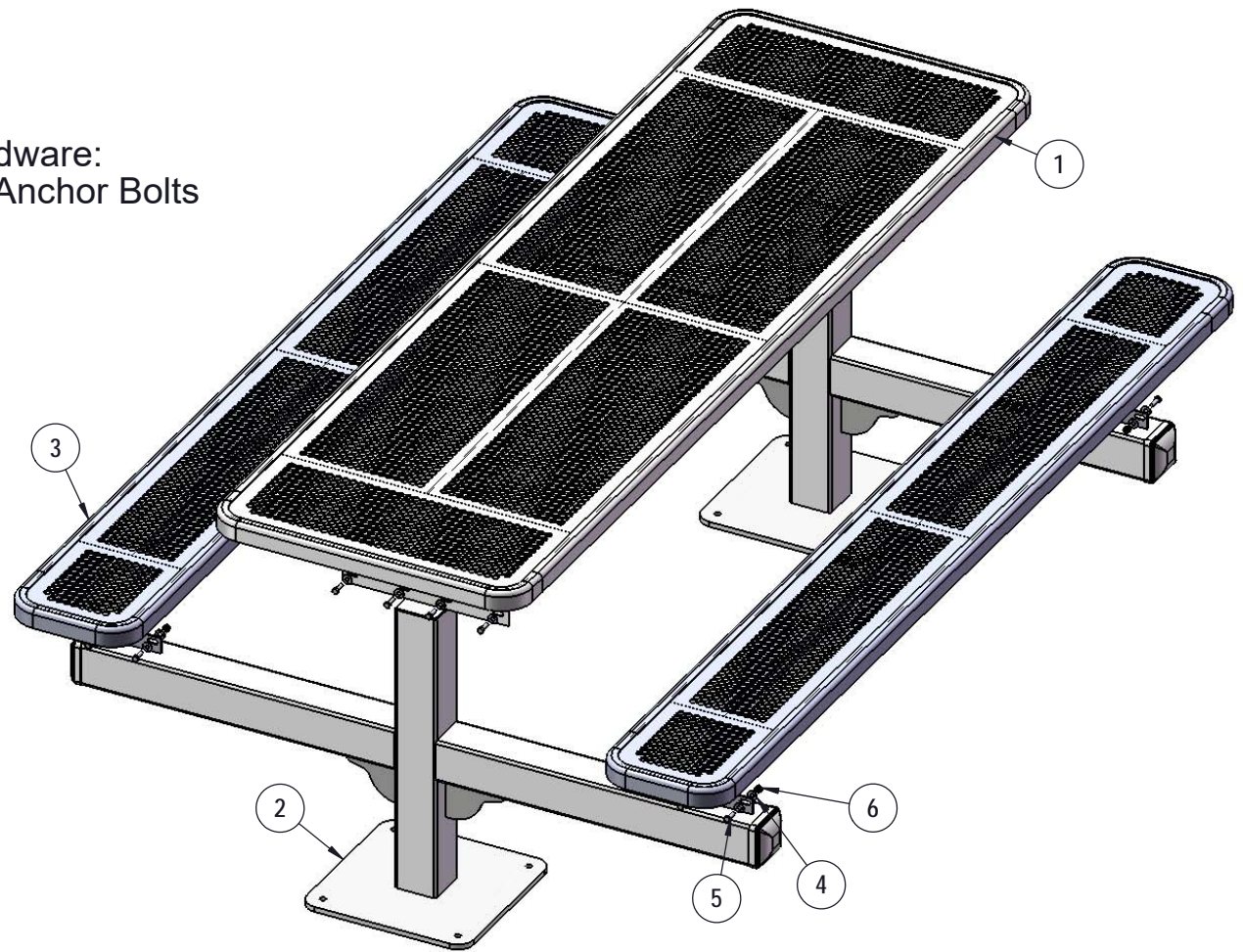
Frame Coating: Electrostatic powder coated application oven cured.

Hardware: All stainless steel hardware fasteners.

Dimensions: 8' permanent picnic table design. Top is 30" wide x 96" long and is 30-3/16" high. Seats are 12" wide x 96" long and 18-1/8" high. Outside to outside dimension is 69" x 96".

# COMPONENTS

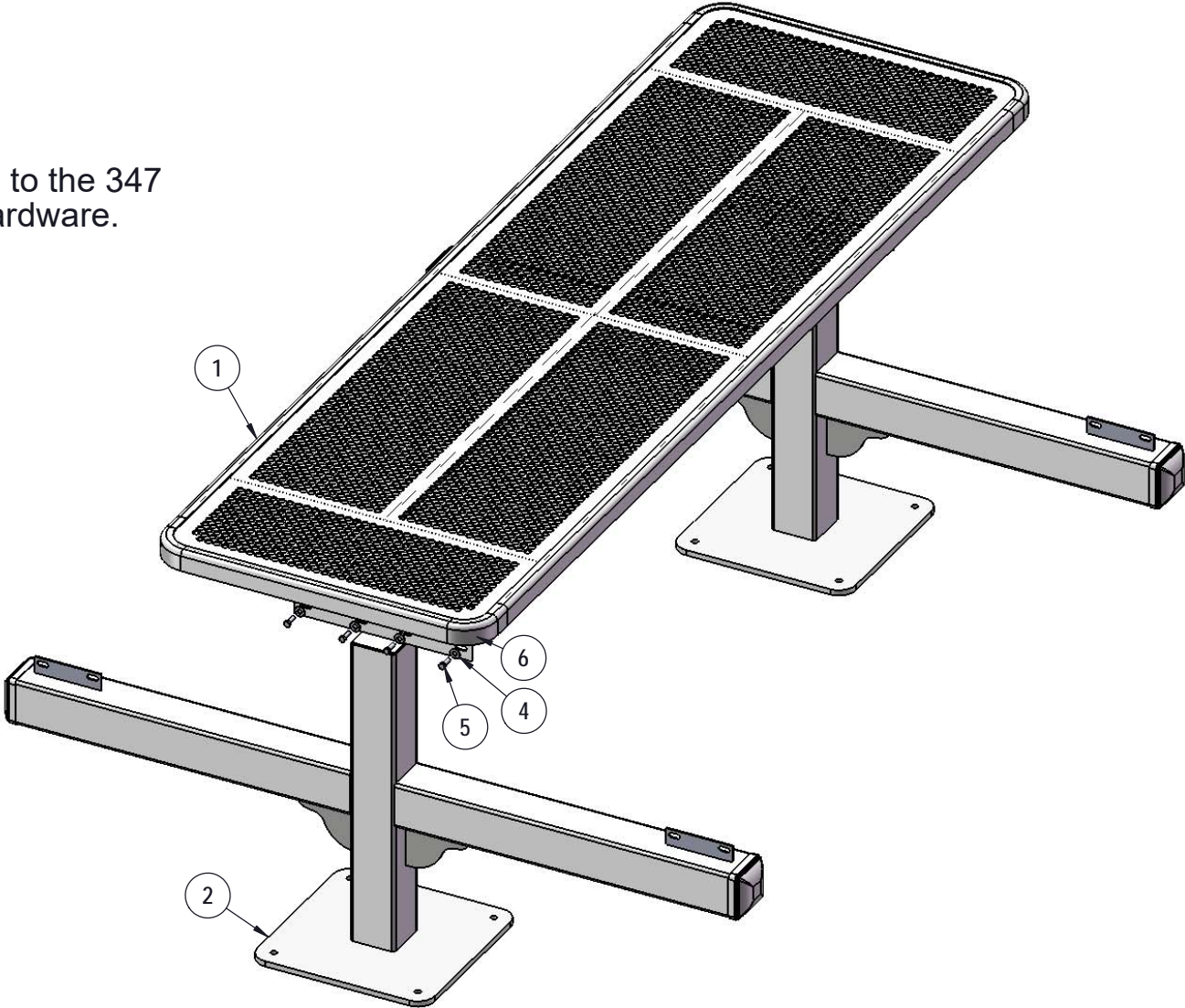
Optional Surface Mount Hardware:  
3/8" x 3-1/2" Concrete Expansion Anchor Bolts  
(Not Included)



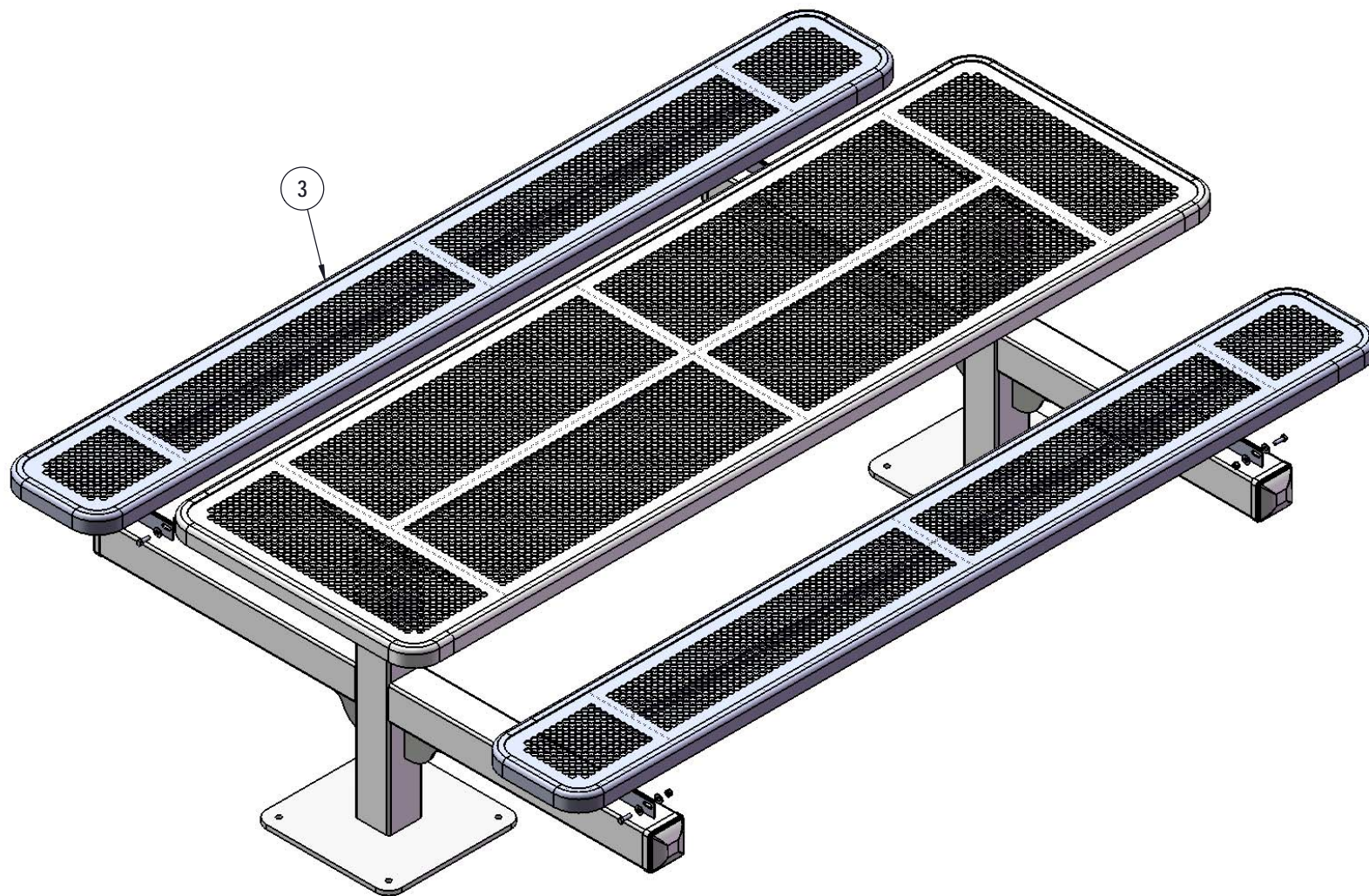
ITEM NO.	PartNo	DESCRIPTION	QTY
1	T-P96-T	8' Punched Top	1
2	P-V347SM	347 Surface Mount Vinyl Leg	2
3	T-P96-S	8' Punched Seat	2
4	33-02-0007	5/16" SS Washer	32
5	33-05-0029	5/16" x 1" Machine Bolt (SS)	16
6	33-03-0012	5/16" Kep Nut (SS)	16

# STEP 1

Attach the 8' Table Top to the 347 Legs using specified hardware.



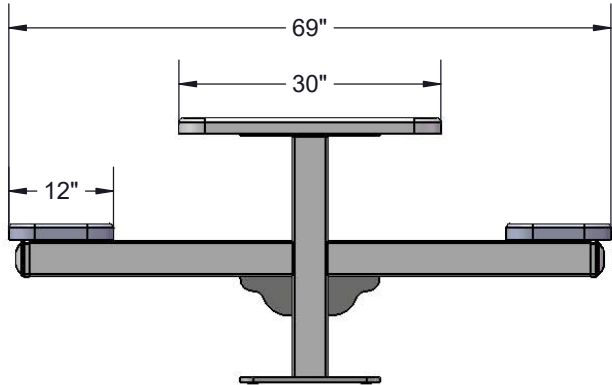
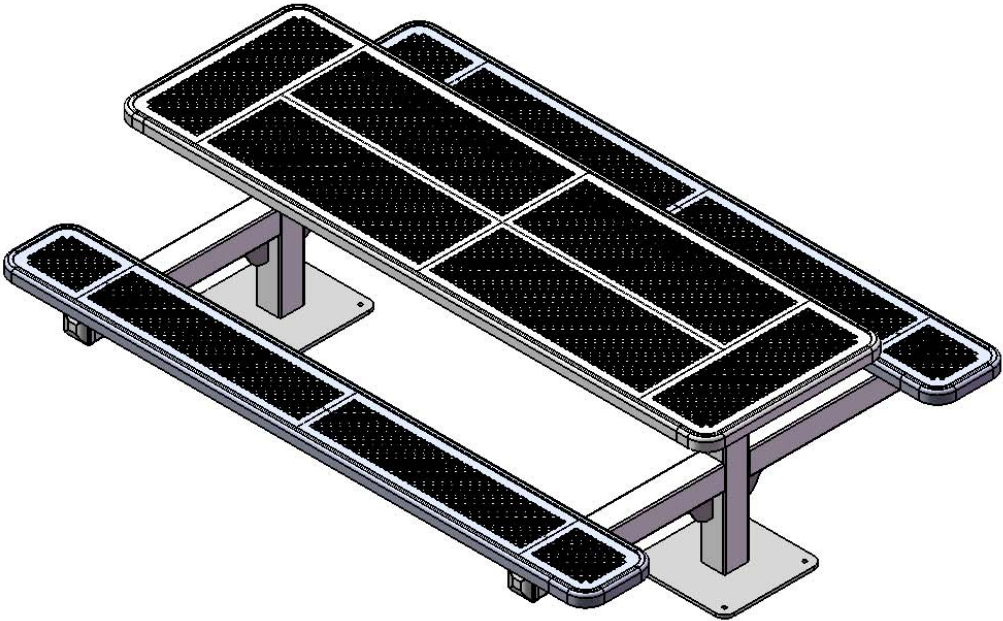
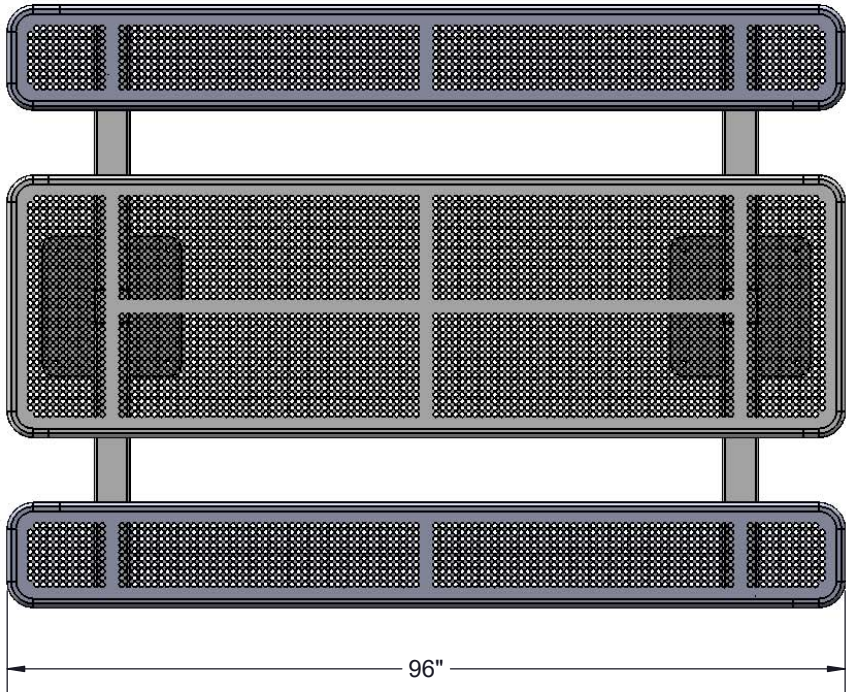
## STEP 2



Attach the 8' Benches to the 347 Legs using specified hardware.

**Superior**<sup>®</sup>  
RECREATIONAL PRODUCTS  
A PLAYCORE Company

# OVERALL DIMENSIONS



**Superior**<sup>®</sup>  
RECREATIONAL PRODUCTS  
A PLAYCORE Company