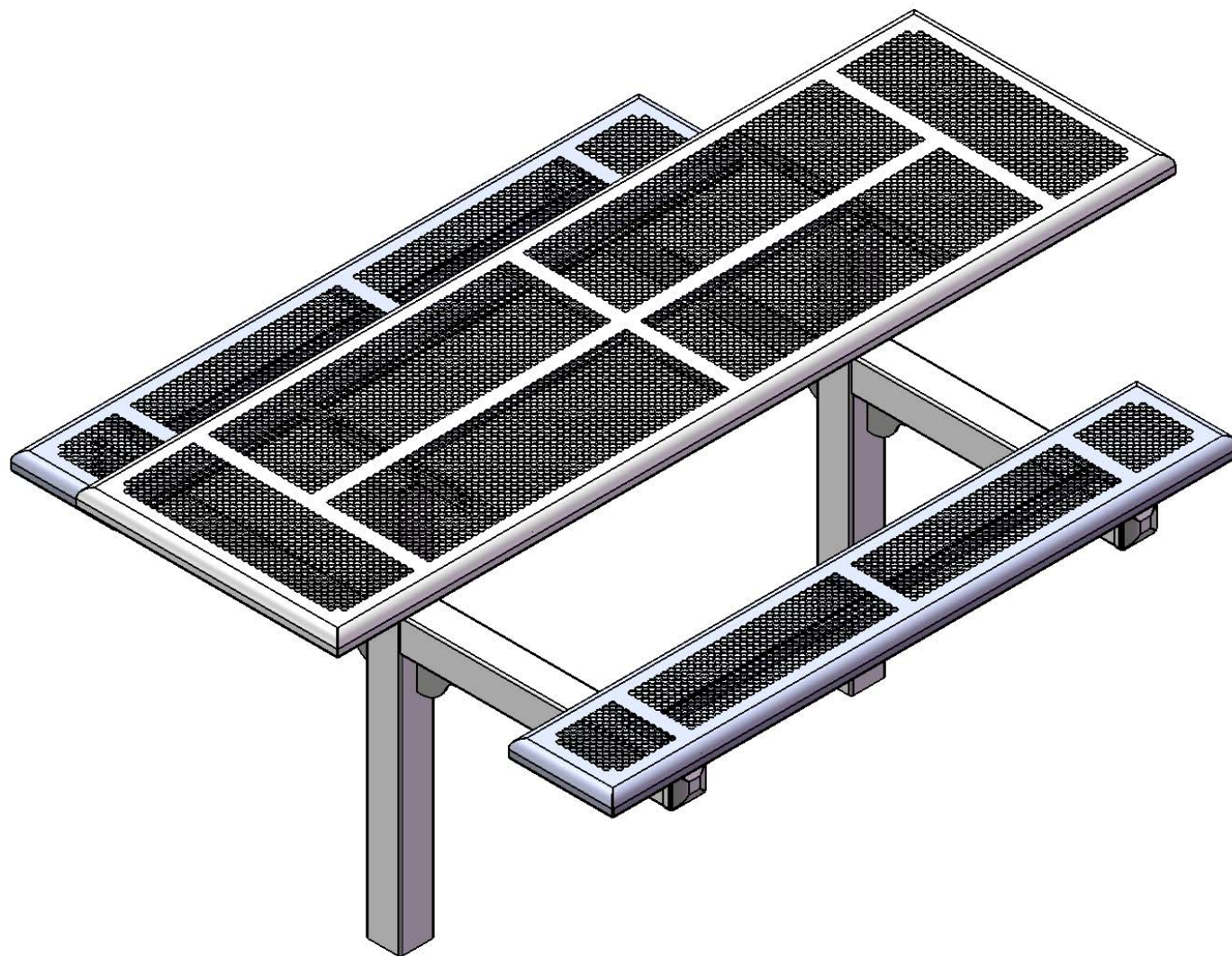


Site Amenities

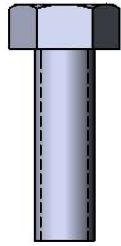
BY SUPERIOR RECREATIONAL PRODUCTS



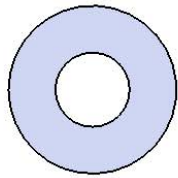
Model #
T8PERFDBLPEDHDCPS

 **SUPERIOR**[®]
RECREATIONAL PRODUCTS
A **PLAYCORE** Company

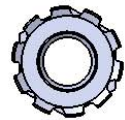
HARDWARE



5/16" X 1"
Machine Bolt



5/16" Washer



5/16" Kep Nut

PRODUCT SPECIFICATIONS

T8PERFDBLPEDHDCPS 8' INGROUND PICNIC DESIGN

Top & Seats: Top and seats shall have a 1-1/2" radius edge, fabricated from a 14 ga. steel plate. Holes are precision punched at 5/8" diameter. 7 gauge x 1-1/2" flat bar center support and mounting bracket understructure. Electrically MIG welded.

Coating: Oven fused functionalized polyethylene copolymer-based thermoplastic. Fluidized bed coating application with superior mechanical performance, impact resistance and UV-stability.

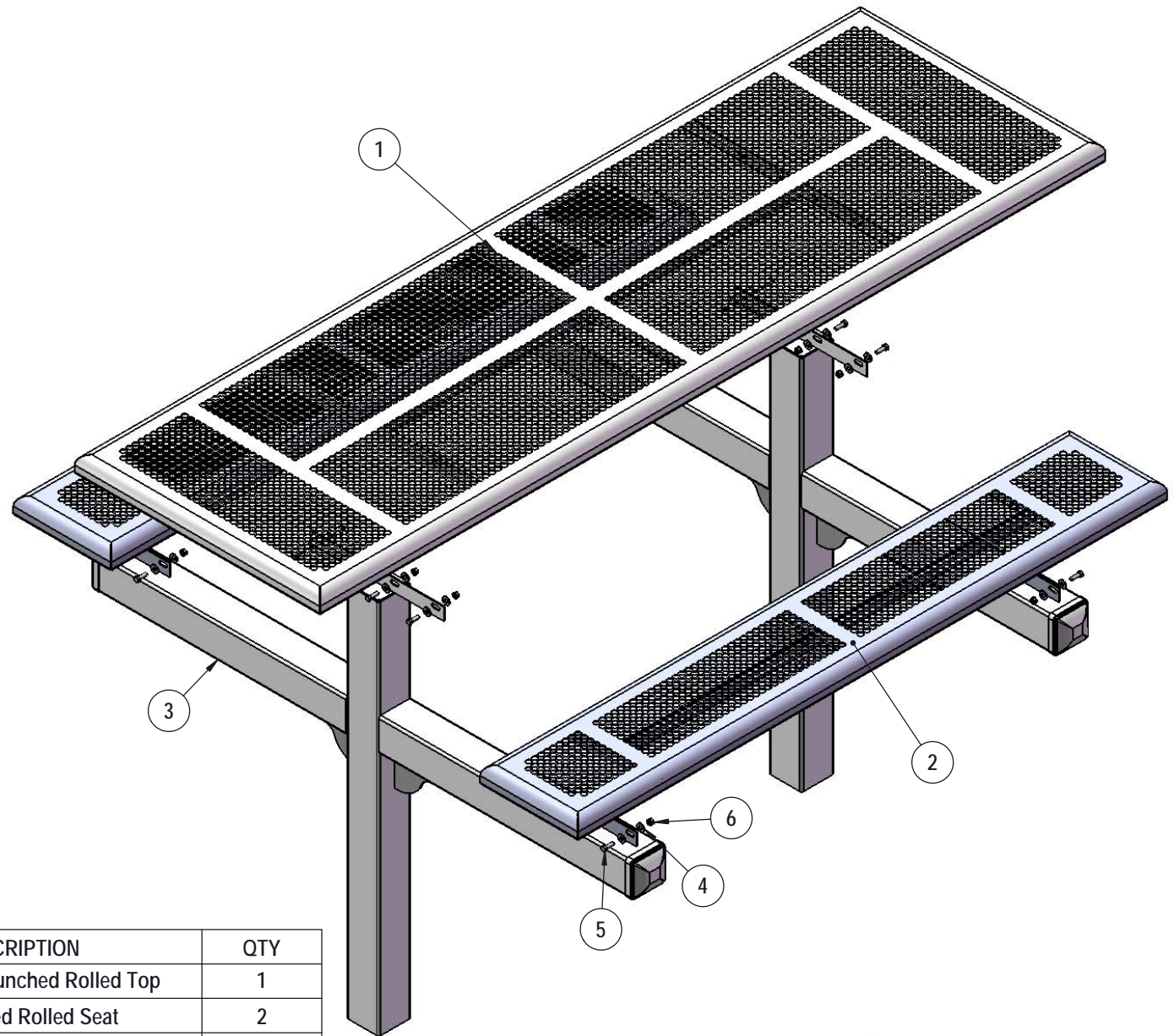
Frame: 4 x 4 x 11 gauge structural steel square tubing. Tubing is capped with a 4 x 4 x 3/16" steel flat bar. Arms are supported with 6" x 6" x 1/4" steel flat bar gussets. Seat and top mounting points 7 gauge x 1-1/2" die stamped steel flat bar. All electrically MIG welded.

Frame Coating: Electrostatic powder coated application oven cured.

Hardware: All stainless steel hardware fasteners.

Dimensions: 8' accessible permanent picnic table design. Top is 30-1/8" wide x 96-1/8" long and is 30" high. Seats are 12-1/8" wide x 72-1/8" long and 18" high. Outside to outside dimension is 64" x 96-1/8". The table top over hangs the frame 21" on both ends.

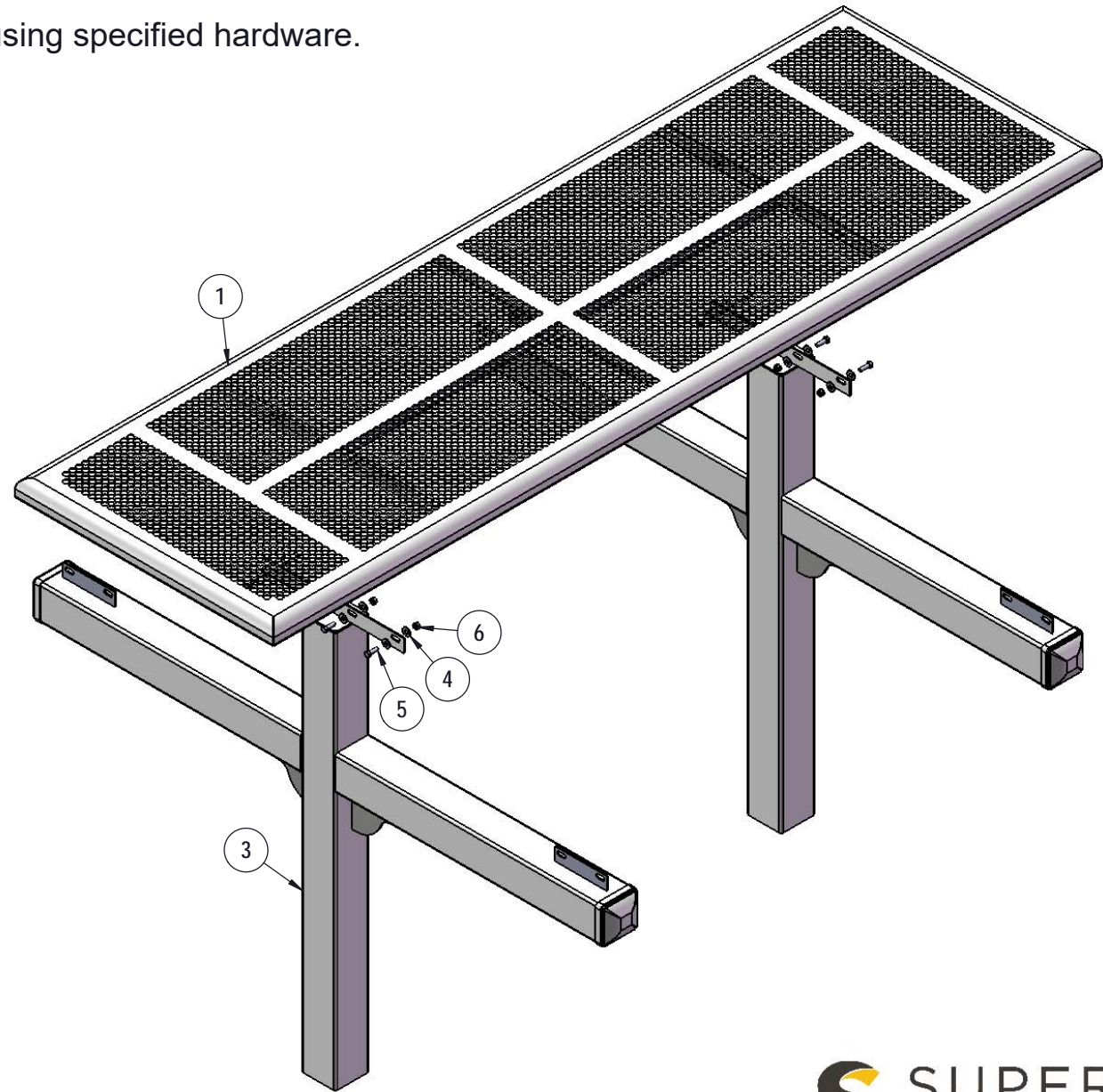
COMPONENTS



ITEM NO.	PartNo	DESCRIPTION	QTY
1	T-PR96H-T	8' Handicap Punched Rolled Top	1
2	T-PR72-S	6' Punched Rolled Seat	2
3	P-V347S	347 In Ground Vinyl Leg	2
4	33-02-0007	5/16" SS Washer	32
5	33-05-0029	5/16" x 1" Machine Bolt (SS)	16
6	33-03-0012	5/16" Kep Nut (SS)	16

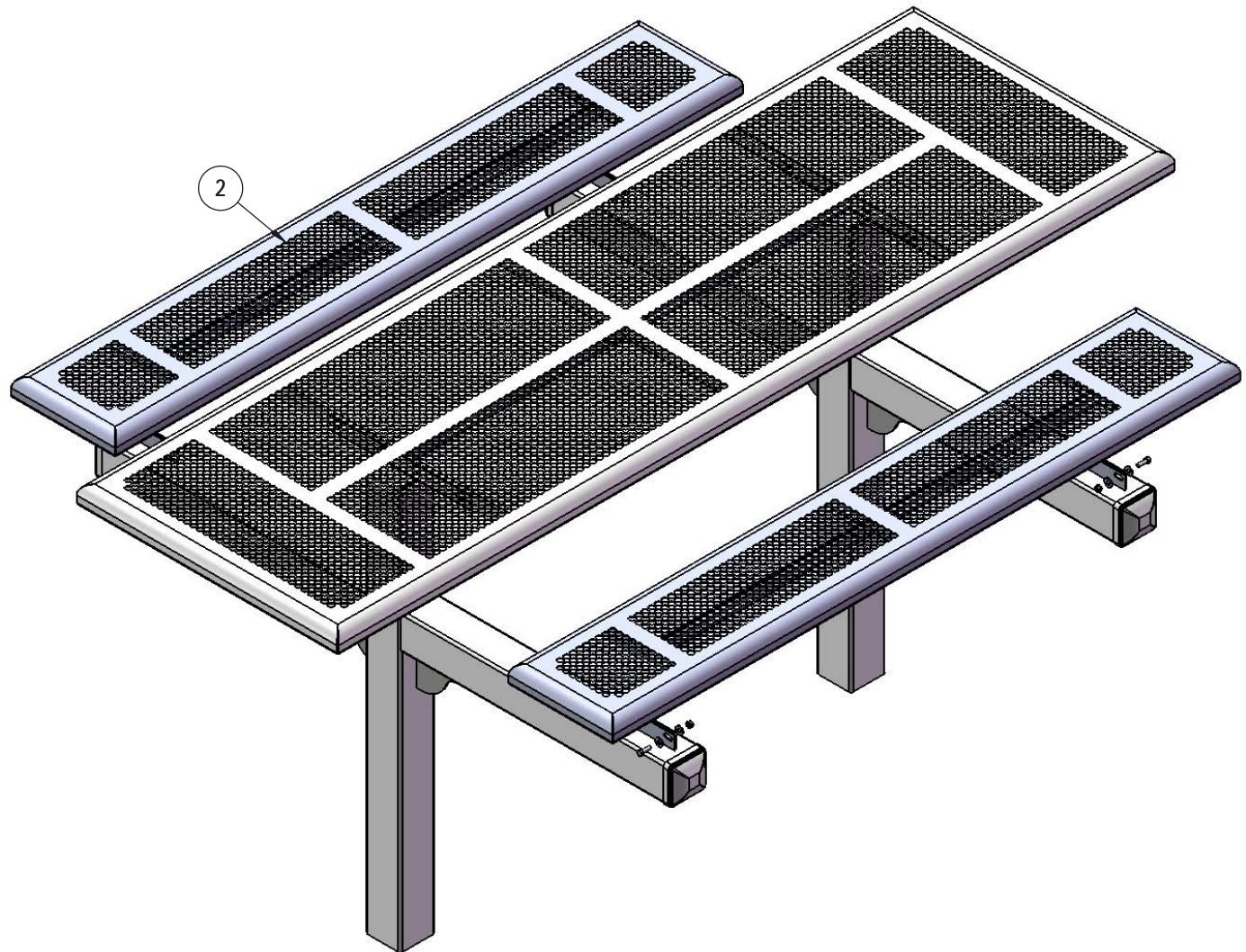
STEP 1

Attach the 8' Top to the Legs using specified hardware.

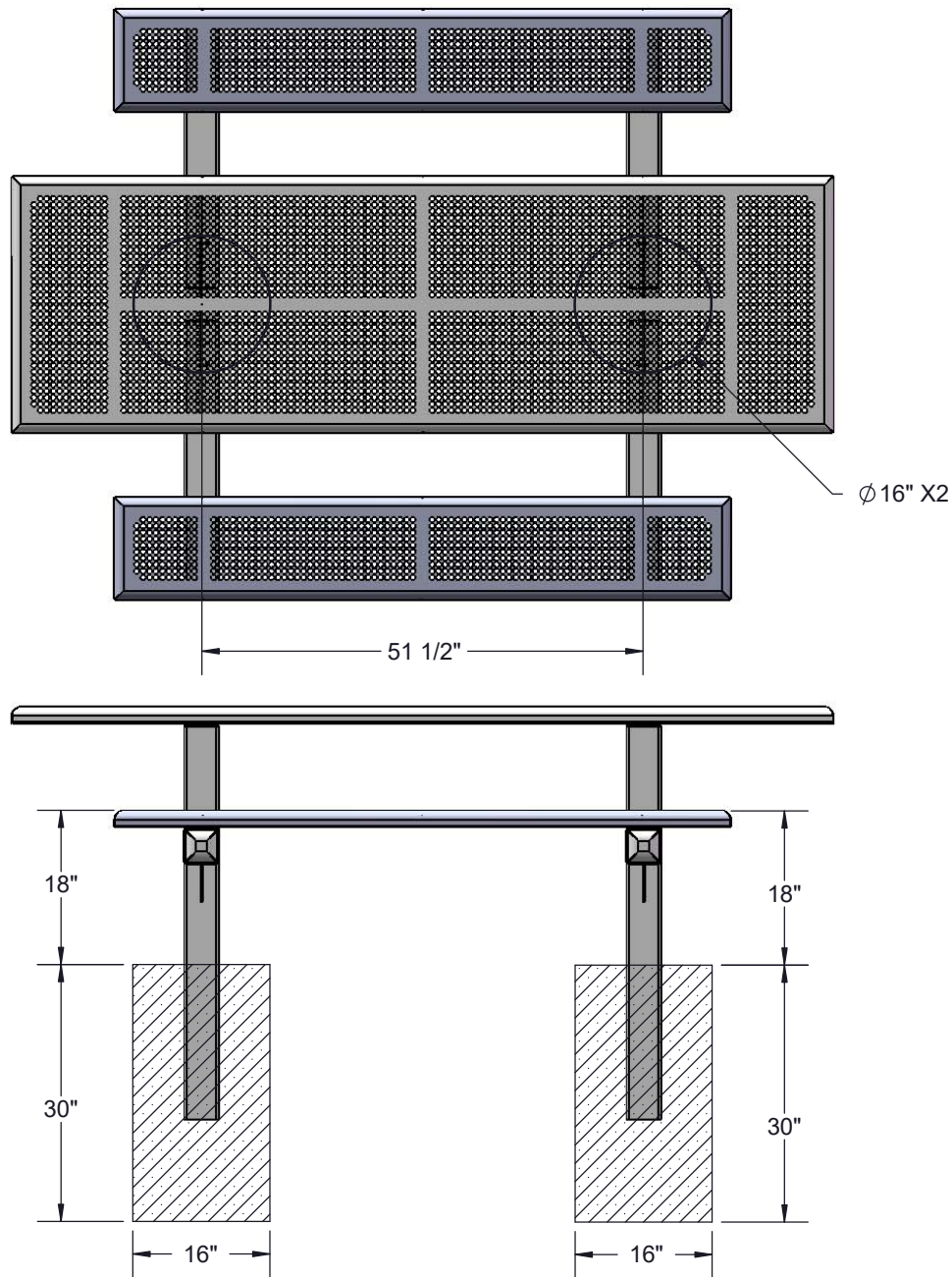


STEP 2

Attach the 6' Seats to the Legs using specified hardware.



FOOTINGS



Estimated Required Concrete:
19 - 50 lb Bags of Concrete Mix

OVERALL DIMENSIONS

