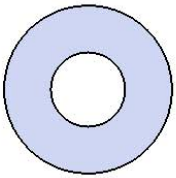


Model # T8RCDBLPEDSM

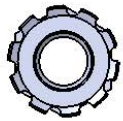
HARDWARE



5/16" x 1"
Machine Bolt



5/16" Washer



5/16" Washer

PRODUCT SPECIFICATIONS

T8RCDBLPEDSM RECTANGULAR SURFACE MOUNT TABLE

Seat & Back: 2" x 2" x 1/8" formed angle frame with 1-1/2" radius corners. 3/4" #9 steel expanded metal. 7 gauge x 1-1/2" flat bar center support and mounting bracket understructure. Electrically MIG welded.

Coating: Oven fused functionalized polyethylene copolymer-based thermoplastic. Fluidized bed coating application with superior mechanical performance, impact resistance and UV-stability.

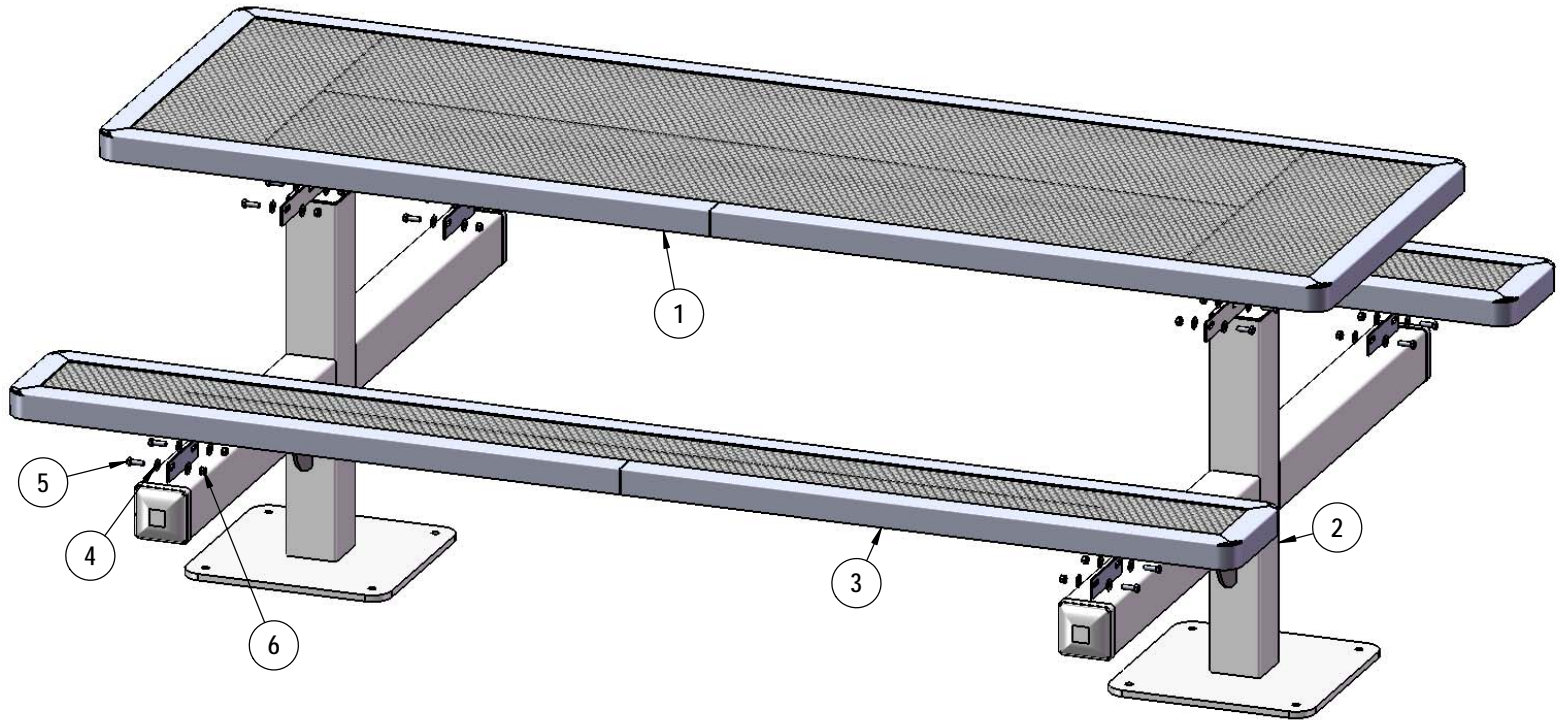
Frame: 4 x 4 x 11 gauge structural steel square tubing. Tubing is capped with a 4 x 4 x 3/16" steel flat bar. Arms are supported with 6" x 6" x 1/4" steel flat bar gussets. Seat and top mounting points 7 gauge x 1-1/2" die stamped steel flat bar. All electrically MIG welded.

Frame Coating: Electrostatic powder coated application oven cured.

Hardware: All stainless steel hardware fasteners.

Dimensions: Top is 30" wide x 96" long x 30-1/4" high. Seats are 10" wide x 96" long x 18-3/8" high. Outside to outside dimensions are 67" x 96".

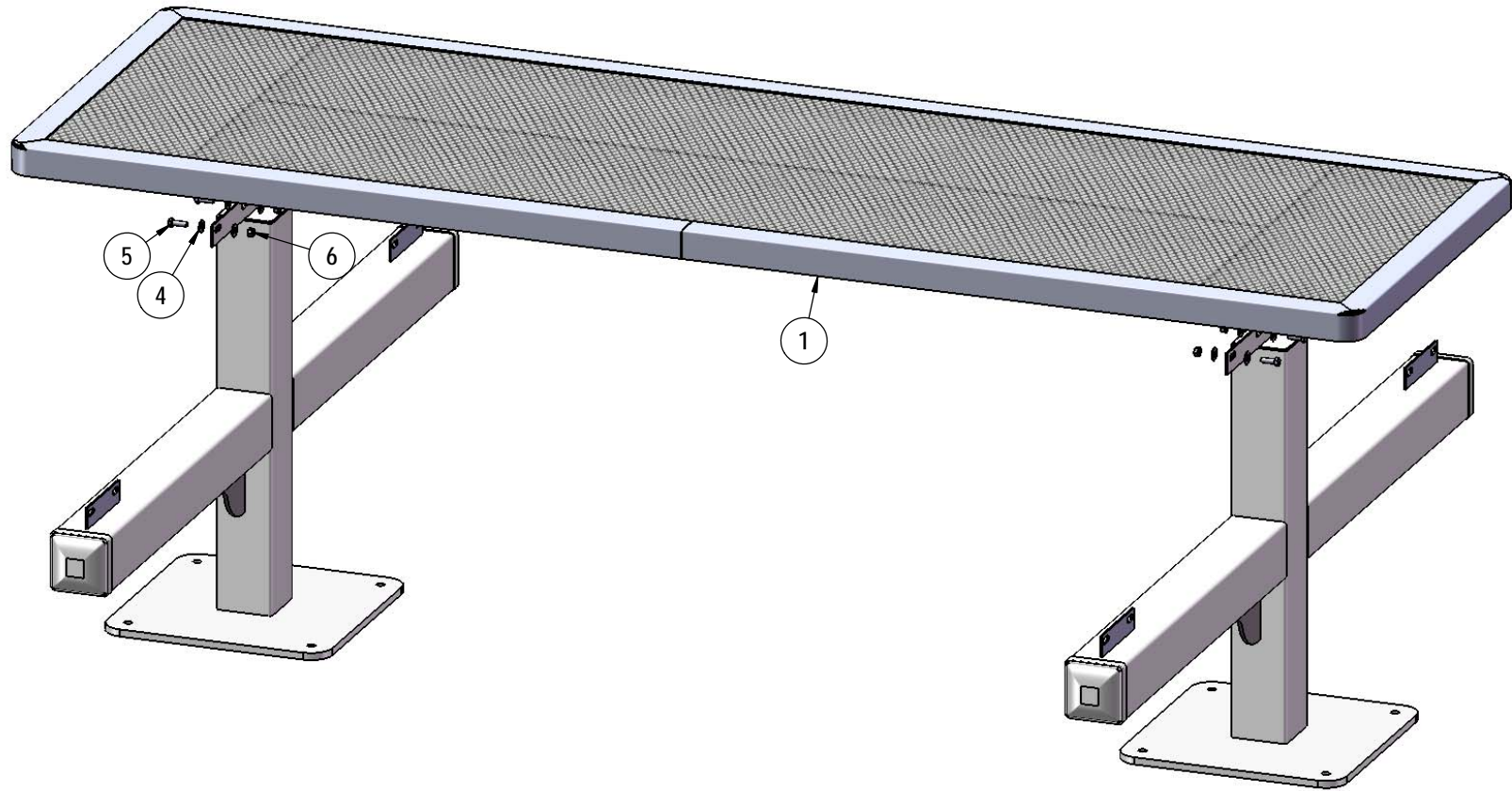
COMPONENTS



| ITEM NO. | PartNo | DESCRIPTION | QTY |
|----------|------------|--|-----|
| 1 | RC96-T | 8' regal expanded top | 1 |
| 2 | P-V347SM | 347 Surface Mount Vinyl Leg | 2 |
| 3 | RC96-S | 8' long x 10" wide regal expanded seat | 2 |
| 4 | 33-02-0007 | 5/16" SS Washer | 32 |
| 5 | 33-05-0029 | 5/16" x 1" Machine Bolt (SS) | 16 |
| 6 | 33-03-0012 | 5/16" Kep Nut (SS) | 16 |

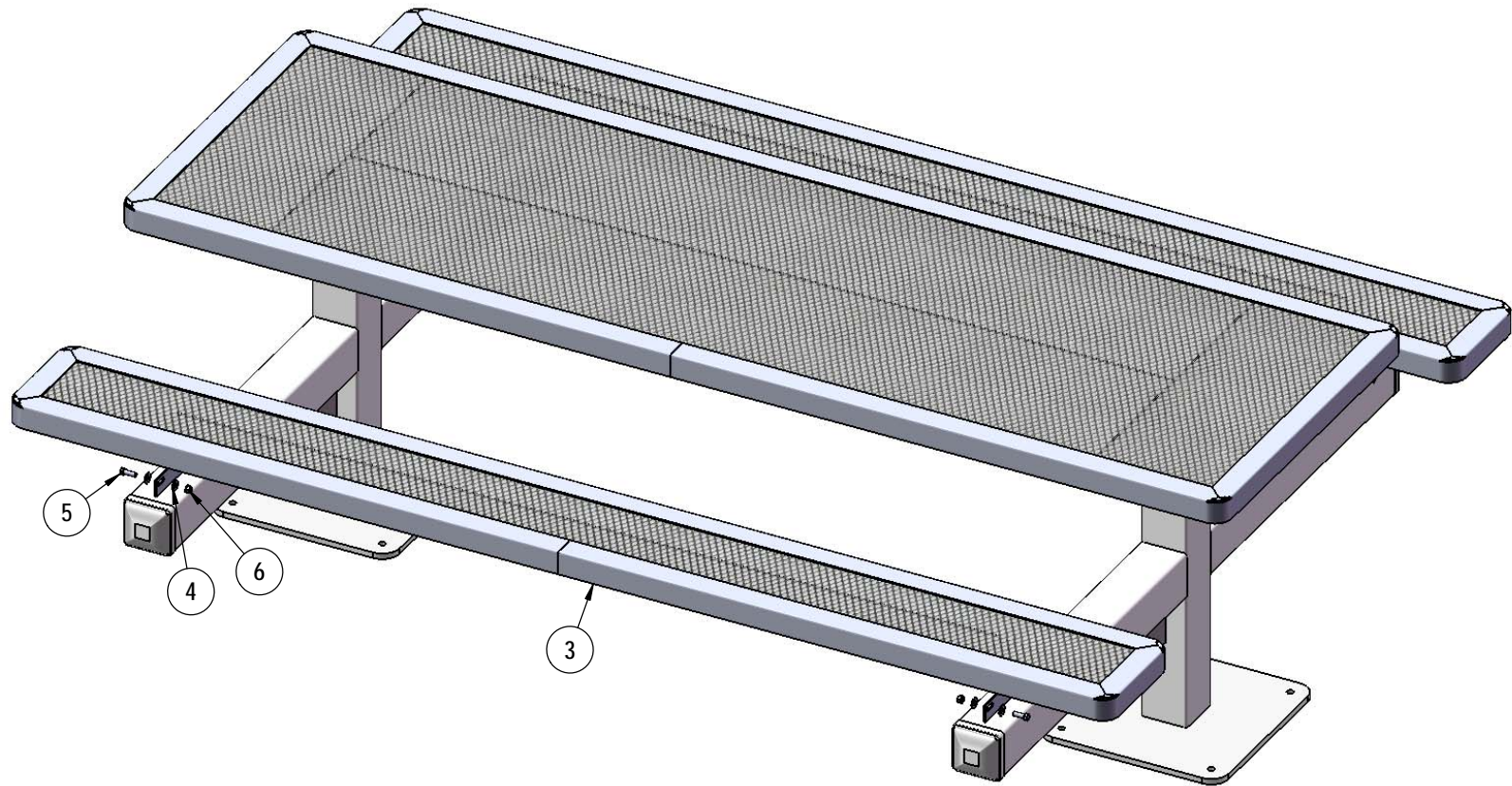
Superior[®]
 RECREATIONAL PRODUCTS
A PLAYCORE Company

STEP 1



Attach the top to the post assemblies as shown using specified hardware.

STEP 2



Repeat step 1 for the seats.

OVERALL DIMENSIONS

