

Site Amenities

BY SUPERIOR RECREATIONAL PRODUCTS



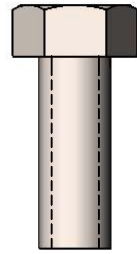
Model #
TR32AR-FLATTOPRB

 **SUPERIOR**[®]
RECREATIONAL PRODUCTS
A **PLAYCORE** Company

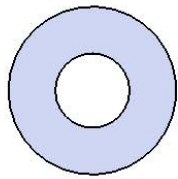
HARDWARE



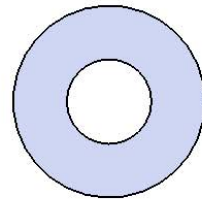
5/16" x 1-1/4"
Lag Bolt



3/8" x 1"
Machine Bolt

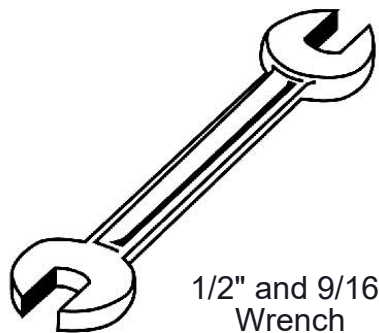


5/16" Washer

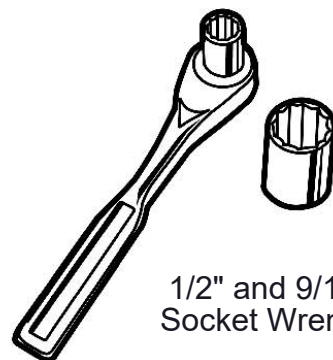


3/8" Washer

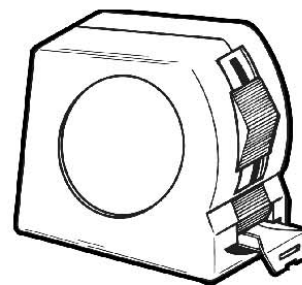
TOOLS REQUIRED



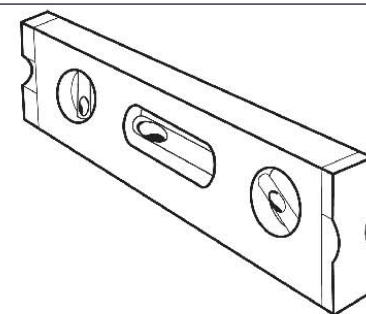
1/2" and 9/16"
Wrench



1/2" and 9/16"
Socket Wrench



Tape Measure



Level

PRODUCT SPECIFICATIONS

TR32AR-FLATTOPRB ARCHES 32 GALLON TRASH RECEPTACLE

Slats: Minimum of 96% commingled post-consumer or post-industrial recycled plastic 2x4. With a maximum of 4% due to various additives including color and UV stabilization to obtain desirable properties. Steel Planks are made from 1-1/2" x 3-1/2" steel oval tubing.

Frame: Rings are 3/16" x 2" flat. Top and bottom plate is laser cut from 1/4" steel. All electrically MIG welded.

Receptacle Coating: TGIC electrostatic powder coated application oven cured.

Receptacle Dimensions: (Fully Assembled) 27" diameter x 49-7/16" high x 32 gallon capacity.

Hardware: Mounting hardware not included. Included hardware to be stainless steel.

RAIN BONNET TOP

Material: Top plate shall be fabricated from 18 gauge steel flat, spun to form. Vertical posts are 1/2" diameter steel rods. Bonnet top shall be fabricated from 20 gauge steel flat, spun to form. All electrically MIG welded.

Frame Coating: Electrostatic powder coated application oven cured.

Receptacle Dimensions: Center opening shall be an 8" inside diameter. The overall dimensions shall be 26-3/4" diameter x 11" high.

PL-32

Trash Liner made from heavy duty plastic.

COMPONENTS

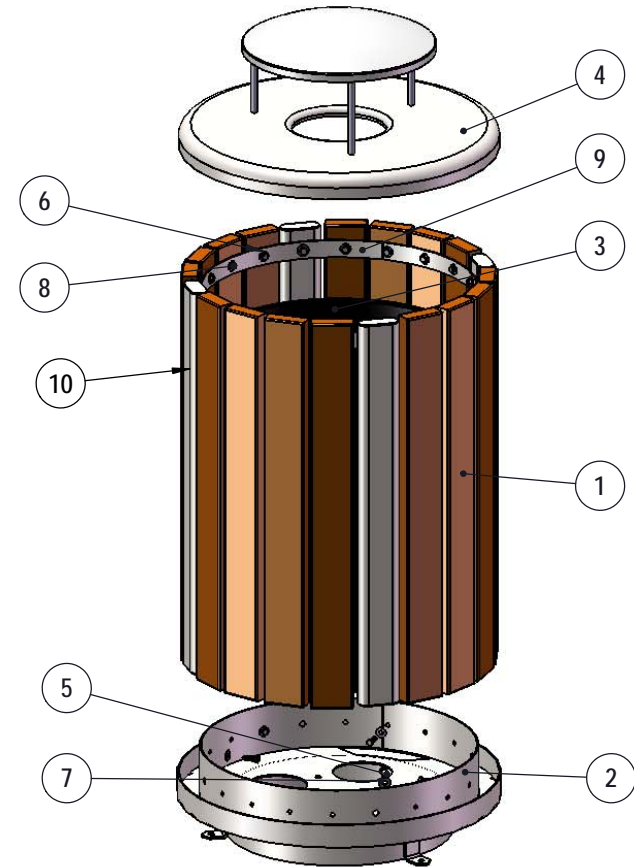
Steps:

1. Attach the oval slats to the bottom ring assembly.
2. Attach the recycled planks to the bottom ring assembly.
3. Attach the top ring to the oval slats and recycled planks.
4. Insert the 32 gal. liner.
5. Attach the lid.

NOTE:

Over tightening of Button Head Bolts and Lag Bolts will result in stripping.

Optional Surface Mount Hardware:
3/8" x 3-1/2" Concrete Expansion Anchor Bolts
(Not Included)



ITEM NO.	PartNo	DESCRIPTION	QTY
1	XXX34-2x4-TR-LB	2 x 4 Brown, Cedar, Gray or Green Recycled TR Plank (34")	16
2	P-01-01-0433	60 Series Bottom Ring Assembly	1
3	PL-32	32 Gal. Liner	1
4	P-RBR-55-08	55 Gallon Rolled Rain Bonnet with a 8" opening	1
5	33-06-0056	3/8" x 1" Machine Bolt (SS)	8
6	33-02-0007	5/16" SS Washer	32
7	33-02-0008	3/8" Flat Washer (SS)	8
8	33-05-0034	5/16" x 1-1/4" lag bolt, SS	32
9	P-01-01-0427	60 Series Top Ring	1
10	01-01-0681	34" Oval Tube	4

OVERALL DIMENSIONS

