

# Site Amenities

BY SUPERIOR RECREATIONAL PRODUCTS



Model #TR32CROWN-AB

 **SUPERIOR**<sup>®</sup>  
RECREATIONAL PRODUCTS  
A **PLAYCORE** Company

# PRODUCT SPECIFICATIONS

## **TR32CROWN-AB 36 GALLON TRASH RECEPTACLE**

Material: Sides are fabricated with 1-1/2" x 11 gauge flat steel strips. Top ring is formed from 5/8" rod. Bottom Ring is 1-1/2" x 1/8" Steel Plate. Bottom plate fabricated from 10 gauge sheet steel precision punched. All electrically MIG welded.

Receptacle Coating: Oven fused functionalized polyethylene copolymer-based thermoplastic. Fluidized bed coating application with superior mechanical performance, impact resistance and UV-stability.

Receptacle Dimensions: 32-1/2" high x 31-1/2" in diameter x 36 gallon capacity.

## **32 GALLON ASH URN TOP**

Material: Top plate shall be fabricated from 18 gauge steel flat, spun to form. Vertical posts are 1/2" diameter steel rods. Bonnet top shall be fabricated from 20 gauge steel flat, spun to form. Ash urn shall be fabricated from 20 gauge steel flat, spun to form. All electrically MIG welded.

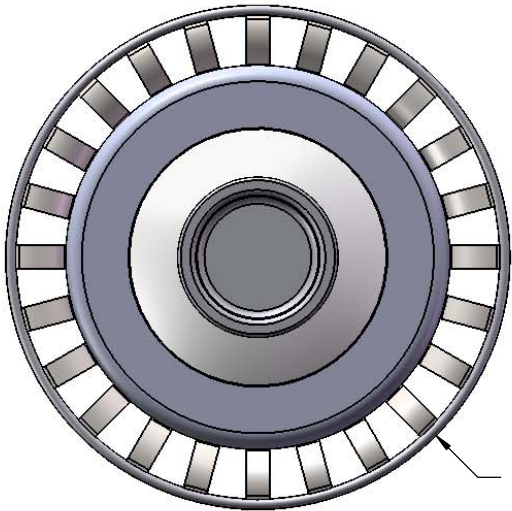
Coating: Oven fused functionalized polyethylene copolymer-based thermoplastic. Fluidized bed coating application with superior mechanical performance, impact resistance and UV-stability.

Top Dimensions: Center opening shall be an 8" inside diameter. The overall dimensions shall be 24" x 13" high.

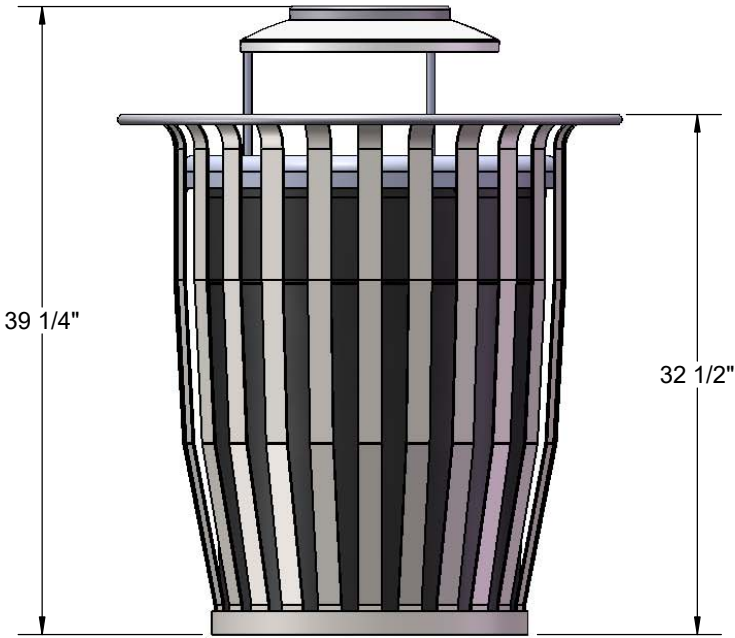
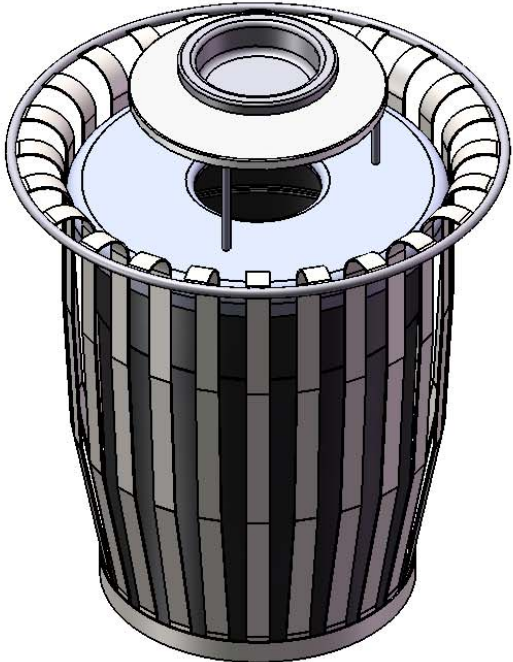
**32 GALLON LINER:** Made of heavy duty plastic.

Overall Dimensions Including Top: 31-1/2" in diameter x 39-1/4" high x 36 gallon capacity.

# OVERALL DIMENSIONS



$\text{Ø}31\ 1/2''$



$39\ 1/4''$

$32\ 1/2''$

