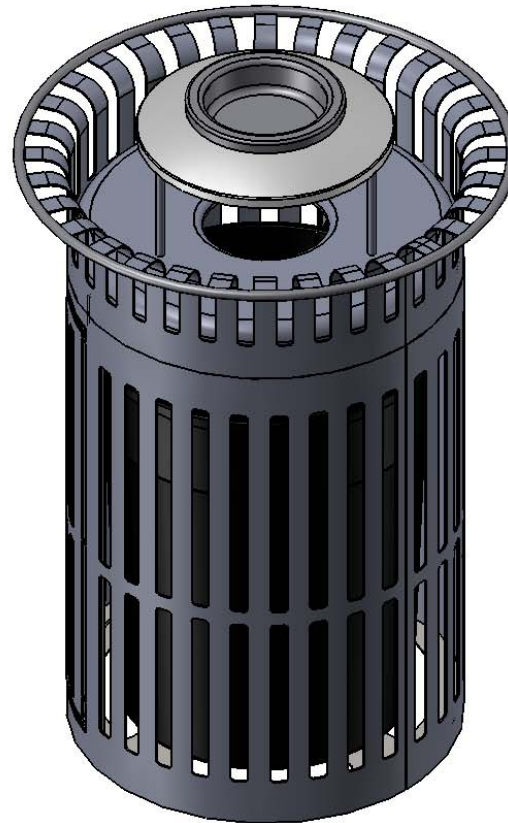


Site Amenities

BY SUPERIOR RECREATIONAL PRODUCTS



Model #TR32METRO-AU

 **SUPERIOR**[®]
RECREATIONAL PRODUCTS
A **PLAYCORE** Company

PRODUCT SPECIFICATIONS

TR32METRO 36 GALLON TRASH RECEPTACLE

Receptacle: Receptacle is fabricated from 12 gauge steel sheet. Top ring is 5/8" rod. Stiffener rings are 1/4" steel plate. Bottom plate is fabricated from 12 gauge sheet steel precision punched. All electrically MIG welded.

Door: Door is fabricated from 12 gauge steel sheet. Top and Bottom Door Stiffener rings are 1/4" steel plate.

Receptacle Coating: Oven fused functionalized polyethylene copolymer-based thermoplastic. Fluidized bed coating application with superior mechanical performance, impact resistance and UV-stability.

Receptacle Dimensions: 42-3/4" high x 31-1/2" in diameter x 36 gallon capacity.

ASH URN TOP

Material: Top plate shall be fabricated from 18 gauge steel flat, spun to form. Vertical posts are 1/2" diameter steel rods. Bonnet top shall be fabricated from 20 gauge steel flat, spun to form. Ash urn shall be fabricated from 20 gauge steel flat, spun to form. All electrically MIG welded.

Top Coating: Oven fused functionalized polyethylene copolymer-based thermoplastic. Fluidized bed coating application with superior mechanical performance, impact resistance and UV-stability.

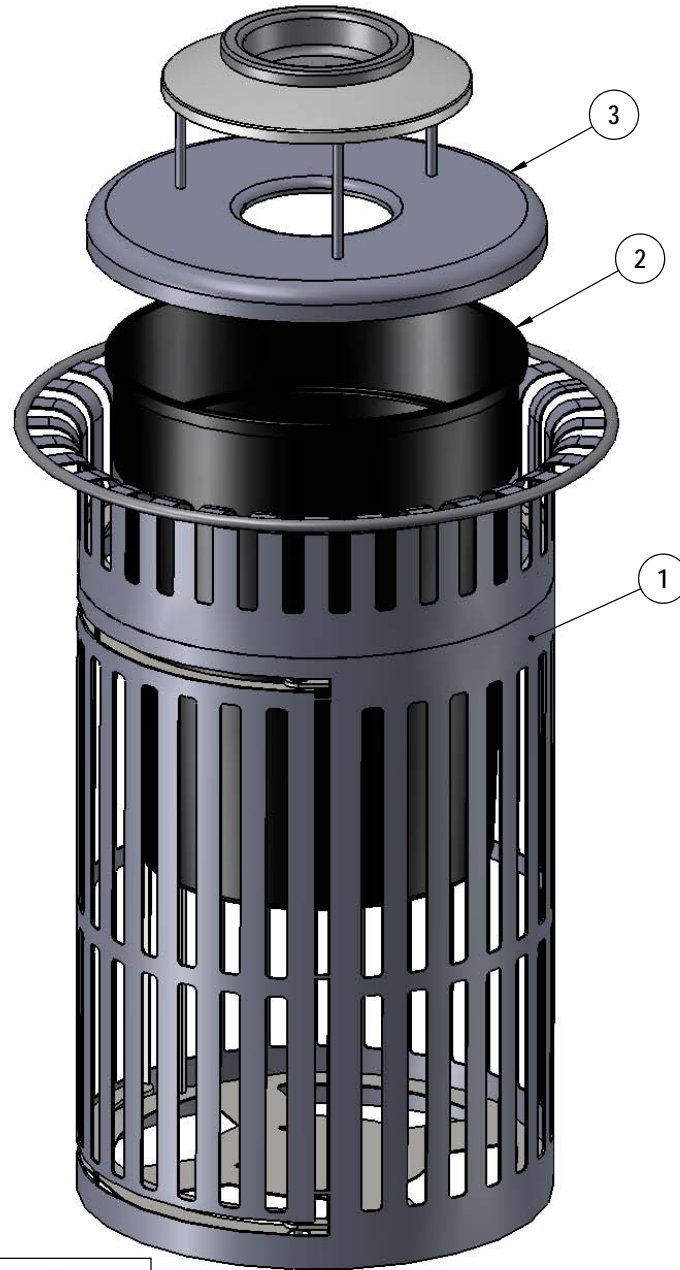
Top Dimensions: Center opening shall be an 8" inside diameter. The overall dimensions shall be 24" x 13" high.

LINER: Made of heavy duty plastic.

Overall Dimensions Including Top: 31-1/2" in diameter x 42-3/4" high x 36 gallon capacity.

NOTE: Receptacle may come assembled.

COMPONENTS



NOTE: Receptacle may come assembled.

ITEM NO.	PartNo	DESCRIPTION	Qty.
1	T-01-05-0219	swing door receptacle assembly	1
2	PL-32	32 Gallon Liner	1
3	(T/P) AUR-32-08	32 Gallon Rolled Ash Urn with a 8" opening	1

OVERALL DIMENSIONS

