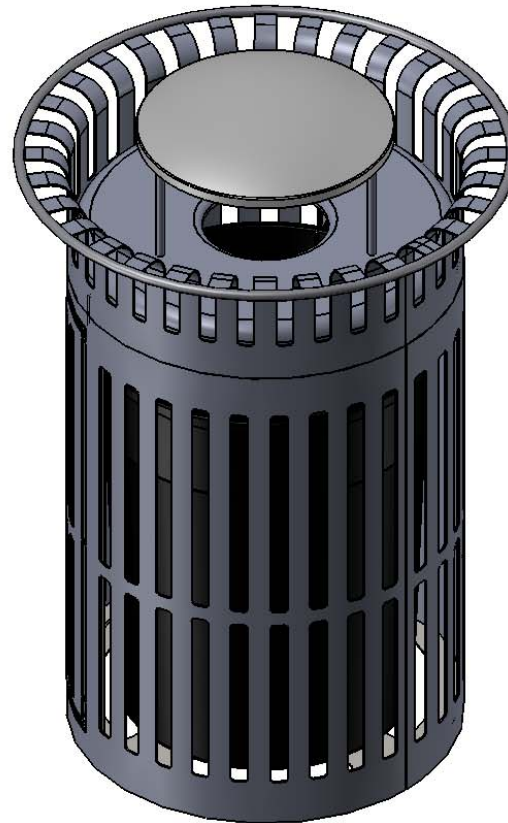


Site Amenities

BY SUPERIOR RECREATIONAL PRODUCTS



Model #TR32METRO-RB

 **SUPERIOR**[®]
RECREATIONAL PRODUCTS
A **PLAYCORE** Company

PRODUCT SPECIFICATIONS

TR32METRO-RB 36 GALLON TRASH RECEPTACLE

Receptacle: Receptacle is fabricated from 12 gauge steel sheet. Top ring is 5/8" rod. Stiffener rings are 1/4" steel plate. Bottom plate is fabricated from 12 gauge sheet steel precision punched. All electrically MIG welded.

Door: Door is fabricated from 12 gauge steel sheet. Top and Bottom Door Stiffener rings are 1/4" steel plate.

Receptacle Coating: Oven fused functionalized polyethylene copolymer-based thermoplastic. Fluidized bed coating application with superior mechanical performance, impact resistance and UV-stability.

Receptacle Dimensions: 42-3/4" high x 31-1/2" in diameter x 36 gallon capacity.

RAIN BONNET TOP

Material: Top plate shall be fabricated from 18 gauge steel flat, spun to form. Vertical posts are 1/2" diameter steel rods. Bonnet top shall be fabricated from 20 gauge steel flat, spun to form. All electrically MIG welded.

Top Coating: Oven fused functionalized polyethylene copolymer-based thermoplastic. Fluidized bed coating application with superior mechanical performance, impact resistance and UV-stability.

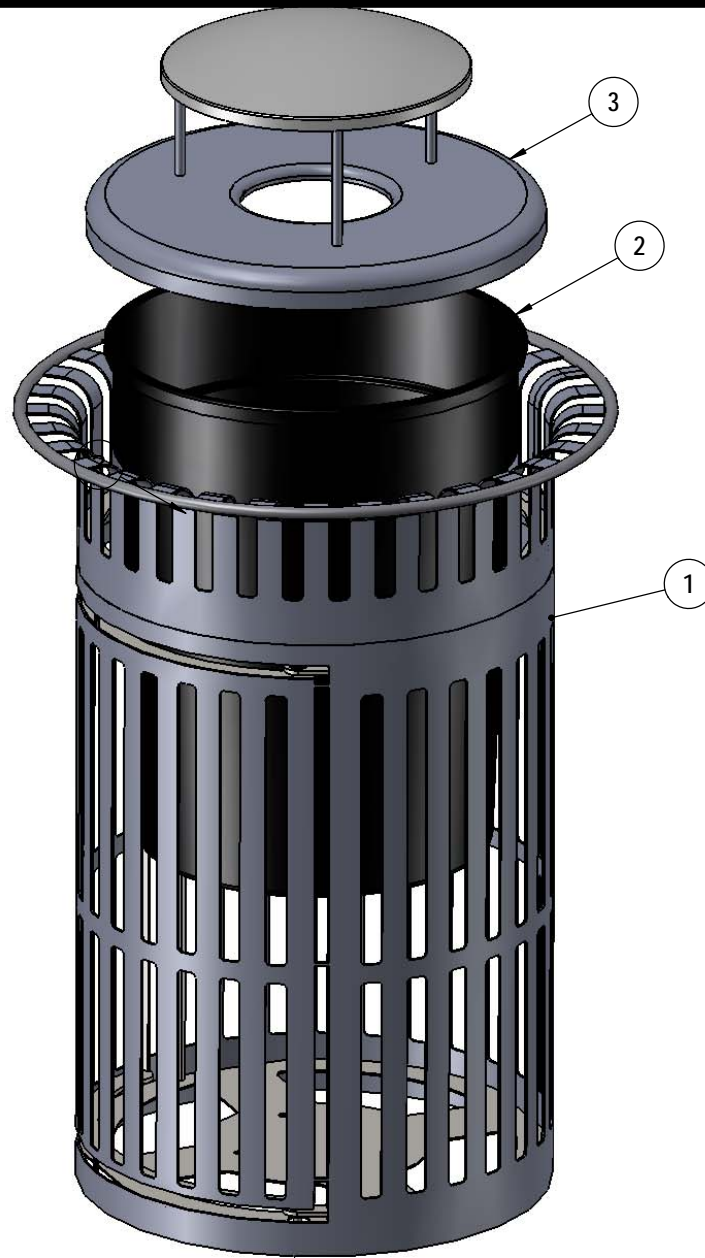
Top Dimensions: Center opening shall be an 8" inside diameter. The overall dimensions shall be 24" x 13" high.

LINER: Made of heavy duty plastic.

Overall Dimensions Including Top: 31-1/2" in diameter x 42-3/4" high x 36 gallon capacity.

NOTE: Receptacle may come assembled.

COMPONENTS



NOTE: Receptacle may come assembled.

ITEM NO.	PartNo	DESCRIPTION	Qty.
1	T-01-05-0219	swing door receptacle assembly	1
2	PL-32	32 Gallon Liner	1
3	RBR-32-08	32 Gallon Rolled Rain Bonnet with a 8" opening	1

OVERALL DIMENSIONS

