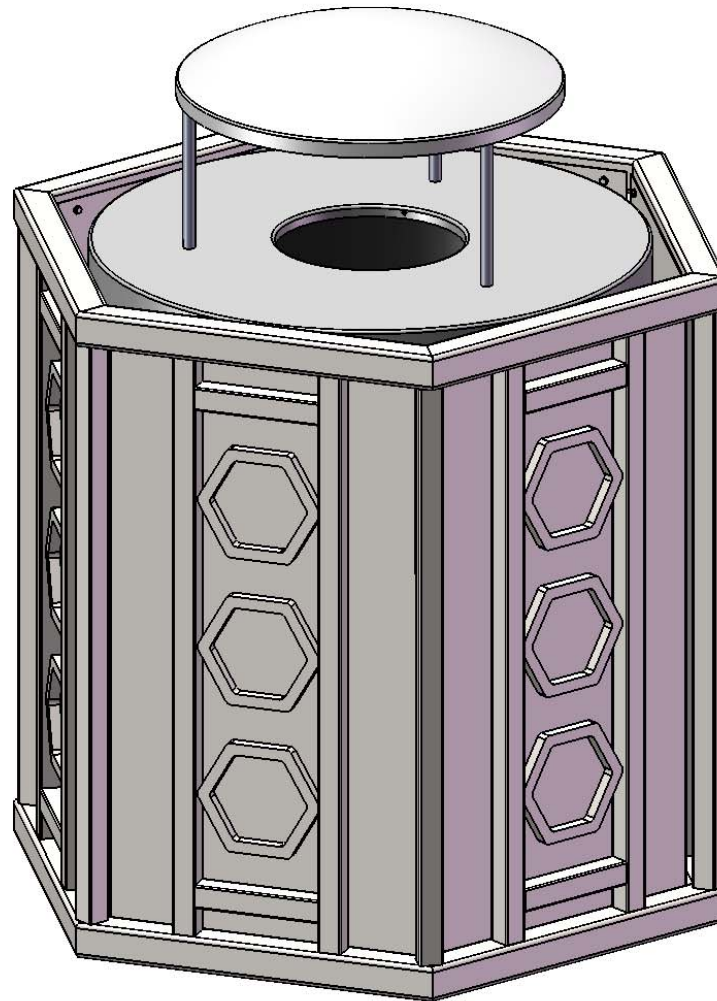


Site Amenities

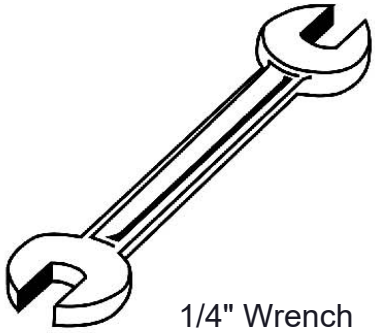
BY SUPERIOR RECREATIONAL PRODUCTS



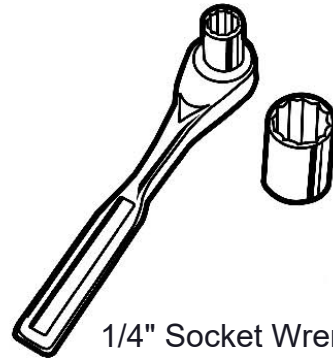
Model #
TR36BC-FLATTOPRB

 **SUPERIOR**[®]
RECREATIONAL PRODUCTS
A **PLAYCORE** Company

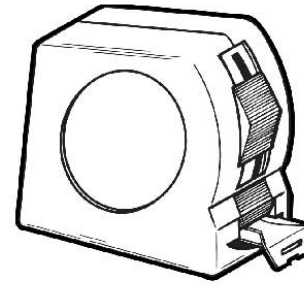
HARDWARE and TOOLS REQUIRED



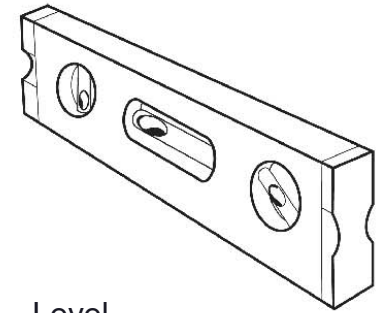
1/4" Wrench



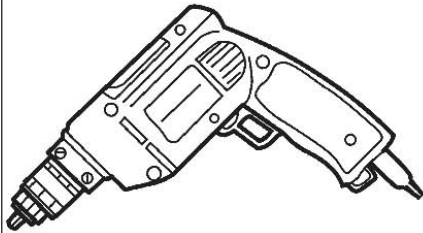
1/4" Socket Wrench



Tape Measure



Level



Drill



#12 x 3/4" Self Drilling Screw

PRODUCT SPECIFICATIONS

TR36BC-FLATTOPRB 32 GALLON BISCAYNE TRASH RECEPTACLE

Material: Sides are fabricated with 1" square steel tube. Top and bottom rings are 1-1/2" square steel tube. Bottom plate fabricated from 12 gauge sheet steel precision punched. All electrically MIG welded.

Receptacle Coating: Steel is sandblasted to near white condition. Coated with zinc rich epoxy primer and top coated with electrostatic powder coat, oven cured.

Receptacle Dimensions: 28-1/2" high x 31-3/4" x 27-1/2". 32 gallon capacity.

RB-32-08 32 GALLON RAIN BONNET TOP

Material: Top plate shall be fabricated from 18 gauge steel flat, spun to form. Vertical posts are 1/2" diameter steel rods. Bonnet top shall be fabricated from 20 gauge steel flat, spun to form. All electrically MIG welded.

Coating: Steel is sandblasted to near white condition. Coated with zinc rich epoxy primer and top coated with electrostatic powder coat, oven cured.

Top Dimensions: Center opening shall be an 8" inside diameter. The overall dimensions shall be 24" x 13" high.

32 GALLON LINER: Made of heavy duty plastic.

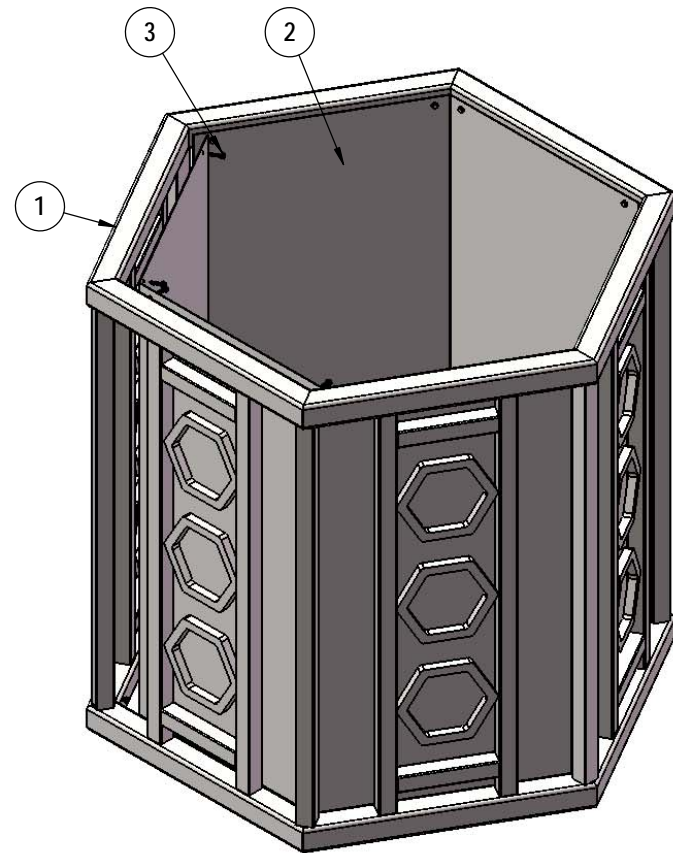
Overall Dimensions Including Top: 27-1/2" x 31-3/4" x 37-1/2" high. 32 gallon capacity.

OVERALL DIMENSIONS

Attaching the Inner Shields to the Biscayne Receptacle

- 1.) Center Inner Shield between top tube and bottom tube on receptacle.
- 2.) Place #12 x3/4" Screws into holes on the Inner Shield and screw half way into Top tube and Bottom tube of receptacle in the 8 holes on each shield
- 3.) Remove screws and clean off excess material and any metal chips.
- 4.) Finish installing each screw

IMPORTANT: Any excess material or metal chips left between inner shields and receptacle can cause the item to rust.



ITEM NO.	PartNo	DESCRIPTION	QTY
1	P-51-HX	huntington receptacle	1
2	01-05-0177	huntington receptacle inner shield	3
3	33-05-0066	#12 x 3/4" screw	24

OVERALL DIMENSIONS

