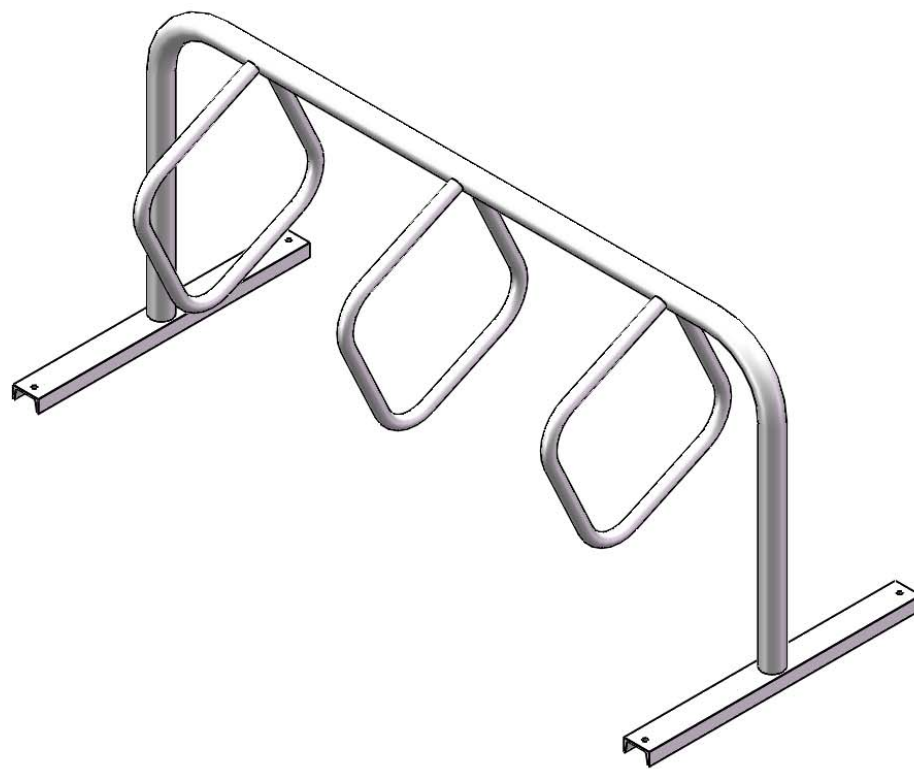


Site Amenities

BY SUPERIOR RECREATIONAL PRODUCTS



Model #
TRIANGULARHOOP5-ING
TRIANGULARHOOP5-SM

 **SUPERIOR**[®]
RECREATIONAL PRODUCTS
A **PLAYCORE** Company

PRODUCT SPECIFICATIONS

TRIANGULARHOOP5-ING TRIANGULARHOOP5-SM

Overall dimensions shall be 34-3/4" high x 32" wide x 75" long. Framework shall be fabricated from 2-3/8" O.D. pipe. 12 gauge steel pipe. Loops are made of 1-5/16" O.D. pipe. 14ga pipe. Base is made of 3" steel channel. Made to hold 3 bikes. Electrically MIG welded.

OVERALL DIMENSIONS

