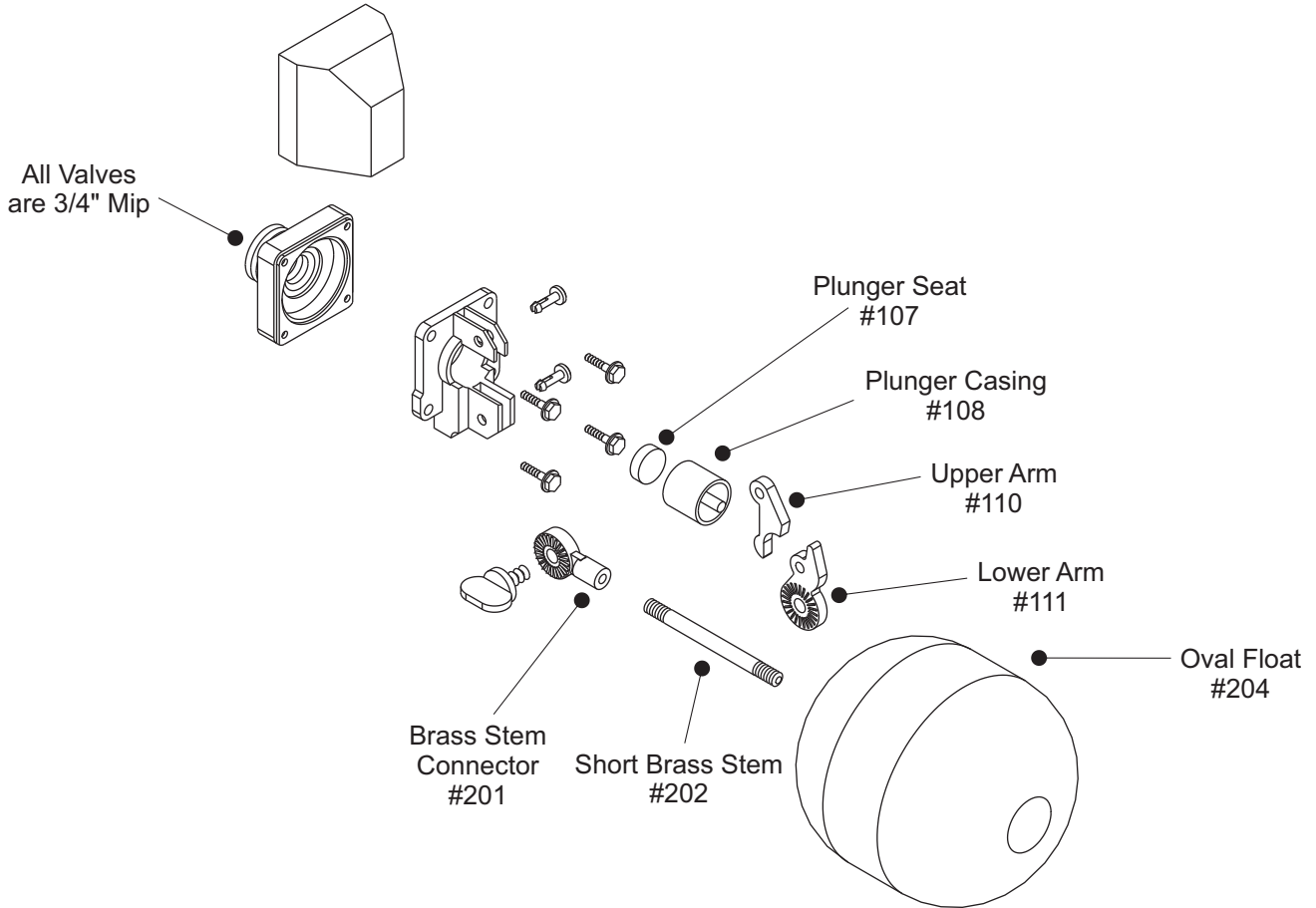


## #118-BLUE — Valve w/ Stem & Float



\* Approximate water flow rate of the Float and Valve System with a standard 40-60 psi is 5 - 7 gallons per minute.

**Water Pressure:** Please note the valve is appropriate for water pressure up to 55 psi.

**Note:** If Valve parts are needed, you can purchase the parts listed or the complete valve with stem and float (#118-BLUE) or the valve itself (#122-BLUE).

### #122-BLUE - Valve

